

330505 Low Frequency Velocity Sensor

Datasheet

Bently Nevada Machinery Condition Monitoring

169872 Rev. F



Description

The Bently Nevada 330505 Low Frequency Velocity Sensor is specifically designed for hydroelectric turbines where slow rotating speeds require detecting a low signal to noise ratio. It detects vibration of the stator core, stator frame, and bearing housing supports. It is designed to provide early warning of pending machinery problems and to help you diagnose problems before they become serious.

The sensor measures absolute vibration within the 0.5Hz to 1.0kHz range. Its two-wire design uses moving-coil technology and embedded signal conditioning circuitry to provide a voltage output directly proportional to the vibration velocity.

Stator core and stator frame vibration can cause fretting and damage to the winding insulation. To detect these problems before serious damage occurs, mount a 330505 sensor on the outer diameter of the stator core and frame.

Bearing housing vibration can distort levels of vibration measured by shaft-observing proximity probes. To detect premature failure of machine components and prevent significant machine problems, place 330505 sensors in locations that measure both shaft-relative and bearing-absolute vibration signals. You can mount 330505 sensors to the bearing housing either as a stand-alone measurement or in the same orientation as existing proximity sensors.

The 330505 Transducer connects to the 3500/46M Hydro Monitor, meeting the requirements of International Organization for Standardization (ISO) Standard 10816-5 for mechanical vibration on non-rotating parts in hydraulic power and pumping plants.

Due to the nature of high amplitude, low frequency velocity events, the 330505 Low Frequency Velocity Sensor is not recommended for automated machinery protection. Due to capacitance constraints, this sensor is not approved for hazardous areas.

CE

Specifications

Parameters are specified from +20 to +30°C (+68 to +86°F) and 80Hz unless otherwise indicated.



Operation outside the specified limits may result in false readings or loss of machine monitoring.

Electrical

Sensitivity	20 mV/mm/s (508mV/in/s) ±10%
Frequency Response	0.5–1000 Hz (30–60,000 cpm) ±3.0 dB; 1–200 Hz (60–12,000 cpm) ±0.9 dB
Velocity Range	102 mm/s (4 in/s) peak
Amplitude Range	See 330505 Vibration Nomograph on page 6.
Amplitude Linearity	±3%–102 mm/s (4 in/s) peak
Output Bias Voltage	-12 ±1 VDC
Maximum Cable Length	305 metres (1000 feet) with no degradation of signal, when used with 3500/46M

Environmental Limits

Operating and storage temperature range	Maximum mounted surface temperature -40°C to +100°C (-40°F to +212°F)
Shock Survivability	981 m/s ² (100g) peak
Relative Humidity	To 100% non-submerged; case is hermetically sealed.

Physical

Weight	< 375grams (13.2oz)
--------	---------------------

(typical)	
Mounting	See 330505 System Dimensional Drawing on page 7.
Case material	300 series stainless steel.
Connector	2-pin Mil-C-5015 receptacle, hermetically sealed, 300 series stainless steel.
Mounting Torque	46 kg cm (40 in-lb) max.
Polarity	Pin A becomes positive with respect to Pin B when the applied velocity is from the base to the top of the transducer.

Compliance and Certifications

FCC

This device complies with part 15 of the FCC Rules. Operation is subject to the following two conditions:

- This device may not cause harmful interference.
- This device must accept any interference received, including interference that may cause undesired operation.

EMC

EMC Directive 2014/30/EU

RoHS

RoHS Directive 2011/65/EU

Ordering Information



For the detailed listing of country and product specific approvals, refer to the *Approvals Quick Reference Guide* (108M1756) available from Bently.com.

330505-AA-BB-CC

A: Transducer Mounting Angle

0 1	0° ± 10°
0 2	90° ± 5°
0 3	180° ± 10°

B: Internal Mounting Thread

0 2	3/8-24 UNF-2B
------------	---------------

C: Mounting Adapter Option

0 0	No Adapter
0 1	1/2 - 20 UNF
0 2	M8 x 1
0 3	1/4 - 28 UNF
0 4	1/4 - 20 UNC
0 5	1/4 - 18 NPT
0 6	5/8 - 18 UNF
0 7	3/8 - 16 UNC

Accessories

For more information, please refer to the 330505 Low Frequency Velocity Sensor User Guide (document 169873).

Part number	Description
89409-01	Individual 1/2 - 20 UNF mounting adapter.
89410-01	Individual M8 x 1 mounting adapter

89411-01	Individual 1/4 - 28 UNF mounting adapter
89412-01	Individual 1/4 - 20 UNC mounting adapter
89413-01	Individual 1/4 - 18 NPT mounting adapter
04300015	Individual 5/8 - 18 UNF mounting adapter.
161191	Individual 1/2 - 13 UNC mounting adapter

Interconnection Cables

The following standard cable lengths are available. You can order custom cable lengths in increments of one foot at additional cost. Some cables have a minimum and maximum length. For details, see each part description below.

Standard Cable Lengths

Feet	Meters (approximate)
6 ft	1.8 m
8 ft	2.4 m
10 ft	3.0 m
12 ft	3.6 m
15 ft	4.5 m
17 ft	5.0 m
20 ft	6.0 m
25 ft	7.6 m
30 ft	9.0 m
33 ft	10.0 m
50 ft	15.2 m
99 ft	30.0 m

Cable Part Numbers

Part number	Description
† NOTE: Use 'AA' in the part numbers below to specify the length (in feet) of the cable you want to order.	
02173034	<p>Splash-Proof Interconnect Cable</p> <p>Recommended for high electromagnetic noise environment and European Conformance (CE).</p> <p>Shielded 0.382 mm² (22 AWG) cable with a splash proof boot over a female connector at the transducer end and flush cut at the monitor end. Temperature range -55 to 125°C (-67 to 257°F). See Graphs and Figures.</p>
CB2W100-AAA†	<p>Splash-Proof Interconnect Cable</p> <p>Shielded 0.382 mm² (22 AWG) cable with splash proof over molded boot, blunt cut at the monitor end. Temperature range -50 to 200°C (-58 to 392°F). See Graphs and Figures.</p> <p>Standard lengths:</p> <ul style="list-style-type: none"> 01515 ft (4.5 m) 03232 ft (9.8 m) 06464 ft (19.5 m) 112112 ft (34.1 m) 125125 ft (38.1 m) 150150 ft (45.7 m) 200200 ft (61.09 m)

Part number	Description
9571-AA†	<p>Standard Interconnect Cable</p> <p>Shielded 0.382 mm² (22 AWG) cable with a moisture resistant female connector at the transducer end and ring lugs at the monitor end. Temperature range -29 to 121°C (-20 to 250°F). See Graphs and Figures.</p> <p>Minimum length 2 ft (0.60 m); maximum length 99 ft (30 m).</p>
84661-AA†	<p>Standard Armored Interconnect Cable</p> <p>Stainless steel armor over shielded 0.382 mm² (22 AWG) cable with a moisture resistant female connector at the transducer end and ring lugs at the monitor end. Temperature range -29 to 121°C (-20 to 250°F). See Graphs and Figures.</p> <p>Minimum length 3 ft (0.91 m); maximum length 96 ft (29 m).</p>
89477-AA†	<p>Right Angle Interconnect Cable</p> <p>Shielded 0.963 mm² (18 AWG) cable with a moisture resistant right angle female connector at the transducer end and ring lugs at the monitor end. Temperature range -29 to 121°C (-20 to 250°F). See Graphs and Figures.</p>

Part number	Description
	Minimum length 2 ft (0.6 m); maximum length 99 ft (30 m).
122129-AA†	Short Run Interconnect Cable Shielded 0.963 mm ² (18 AWG) cable with a moisture resistant female connector at the transducer end and ring lugs at the monitor end. Temperature range -29 to 121°C (-20 to 250°F). See Graphs and Figures . Minimum length 6 in (152 mm); maximum length 24 in (610mm).
02173006	0.963 mm ² (18 AWG) Bulk Cable Shielded twisted pair. Same cable as used on 89477-AA and 122129-AA. Specify number of feet.
02173007	0.382 mm ² (22 AWG) Bulk Cable Shielded twisted pair. Same cable as used on 9571-AA and 84661-AA. Specify the number of feet. The maximum length that should be used with the transducer is 305 m (1000 ft)
00502025	Spare Connector Same connector as used on 9571-AA and 84661-AA
101212-01	Right Angle Connector

Part number	Description
	Right angle connector kit. Same connector as used on 89477-AA.

Graphs and Figures

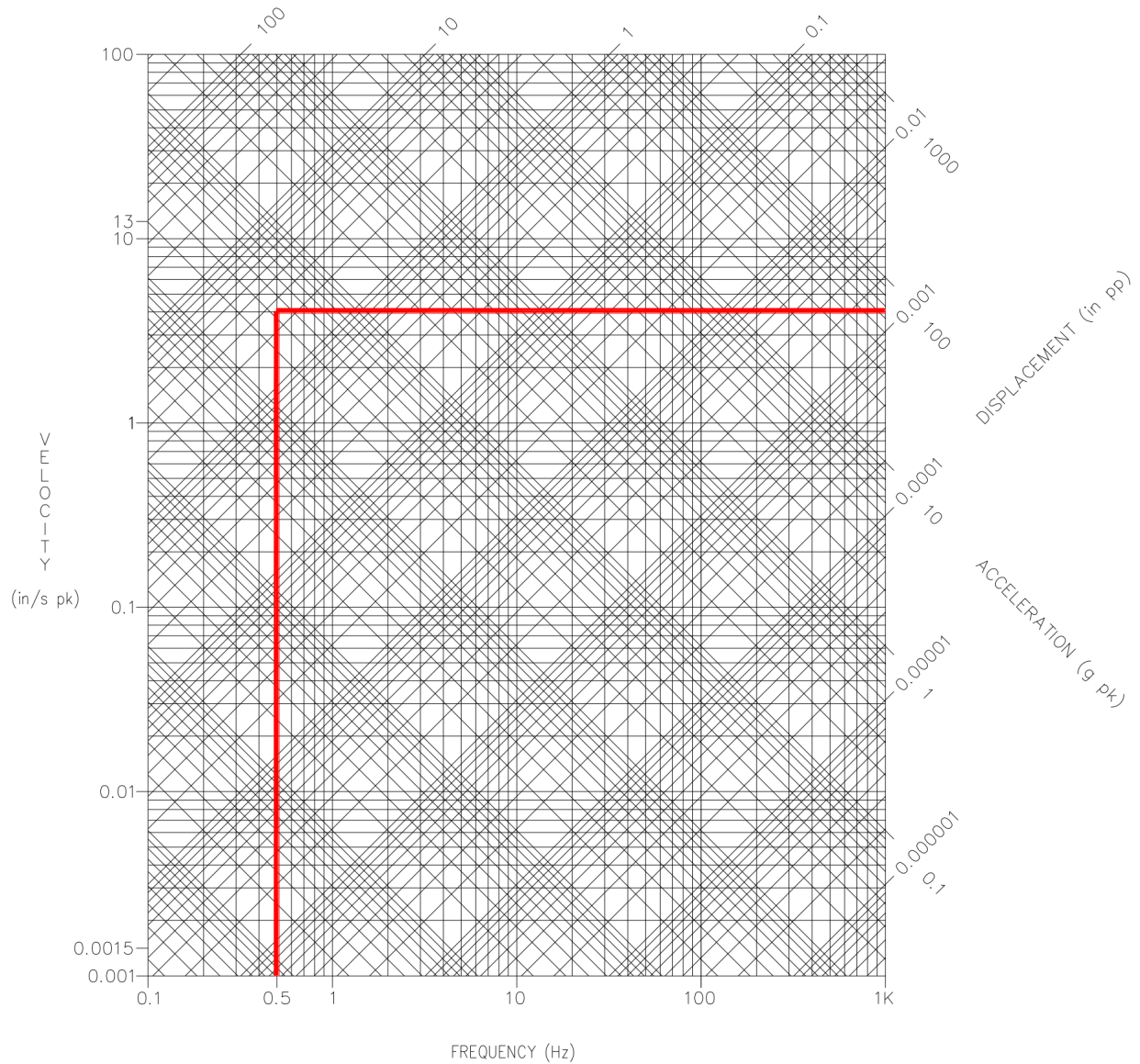


Figure 1: 330505 Vibration Nomograph

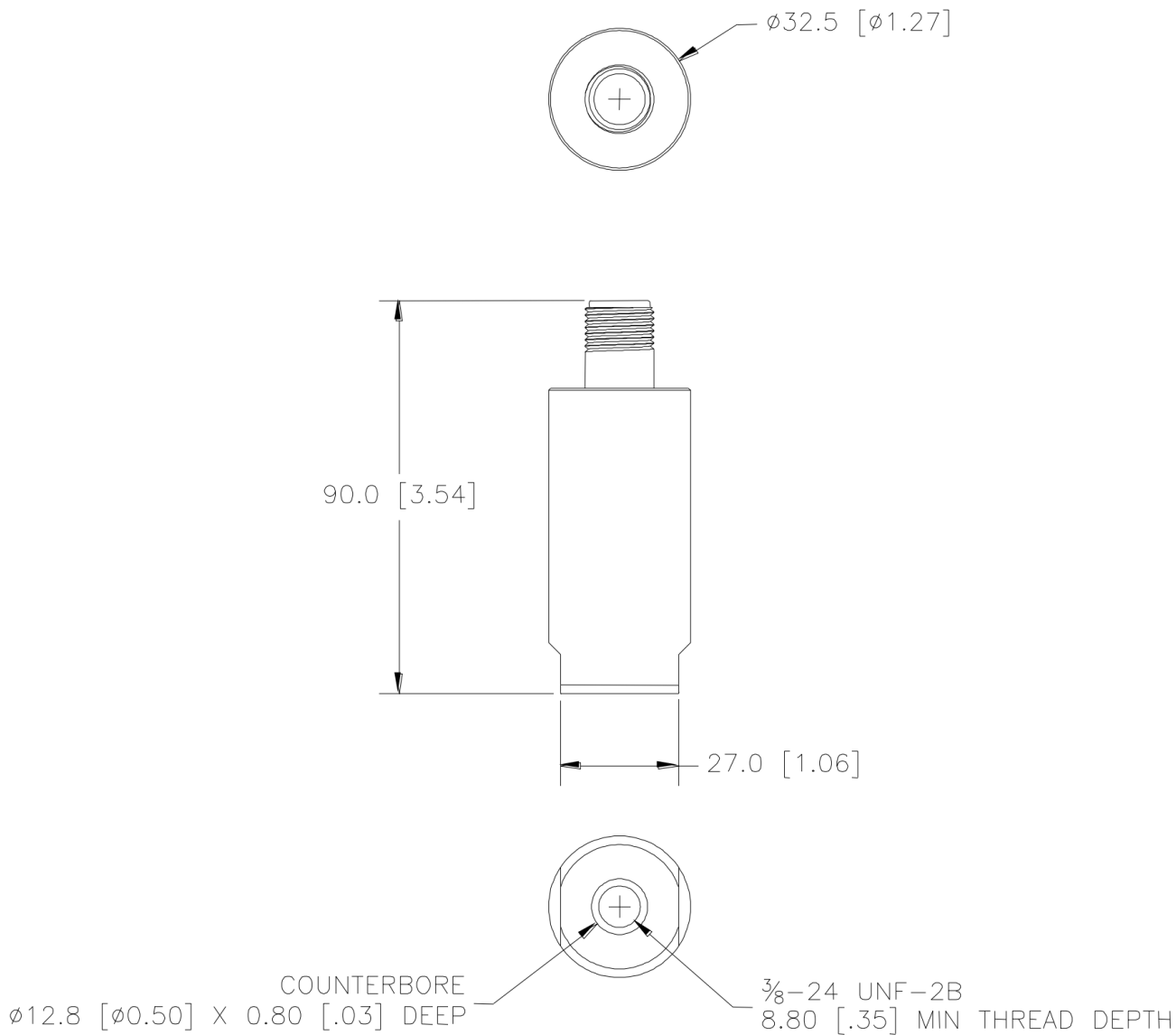


Figure 2: 330505 System Dimensional Drawing

(Dimensions are in millimeters [inches].)

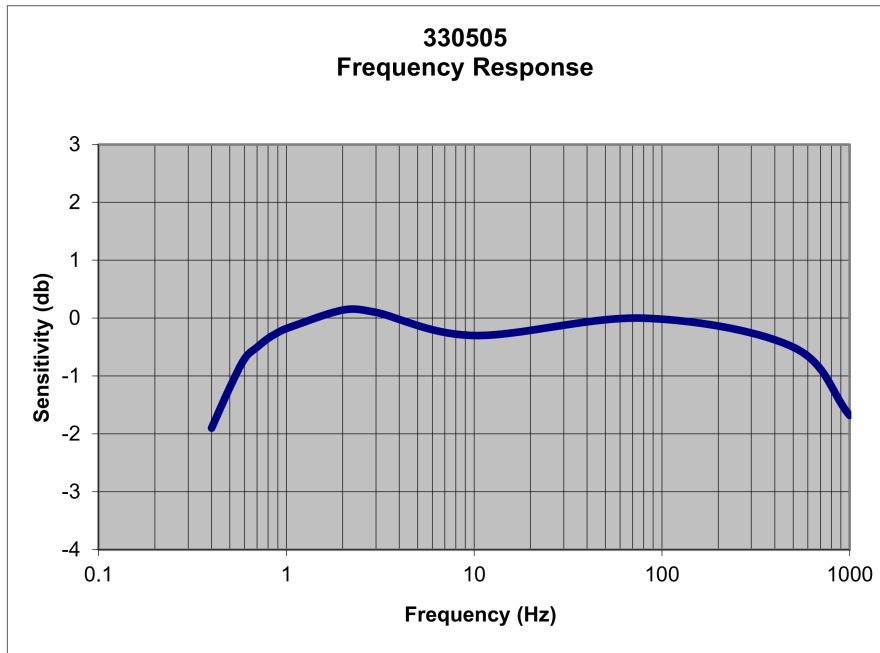


Figure 3: Typical Velocity Amplitude

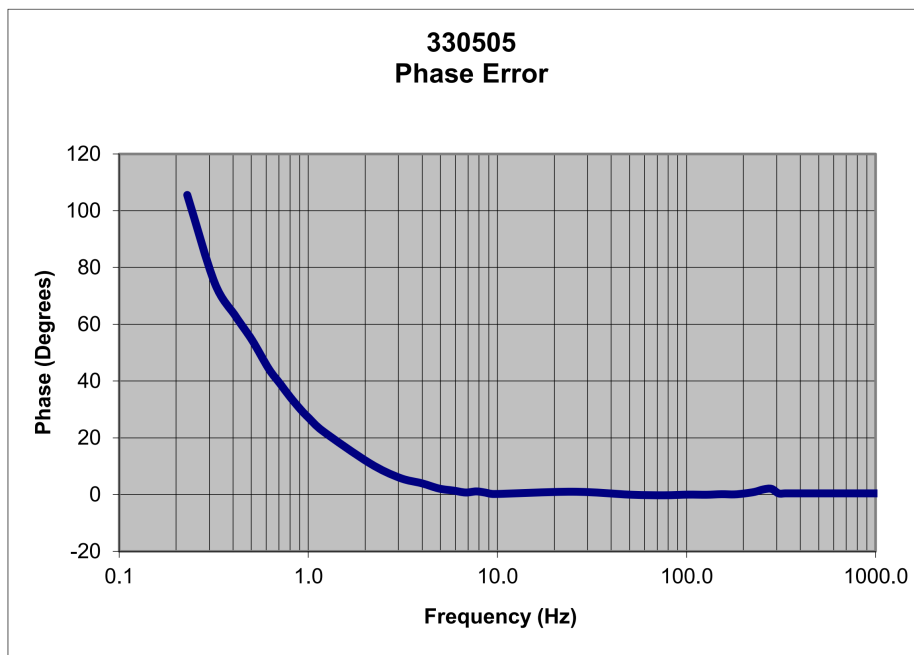


Figure 4: Typical Velocity Phase Error

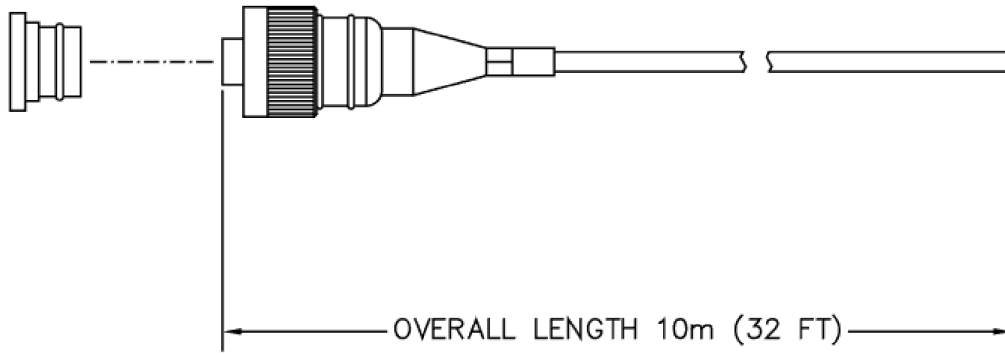


Figure 5: Splash-Prof Interconnect Cable

(For available cable lengths and part numbers, [See Interconnection Cables on page 3.](#))

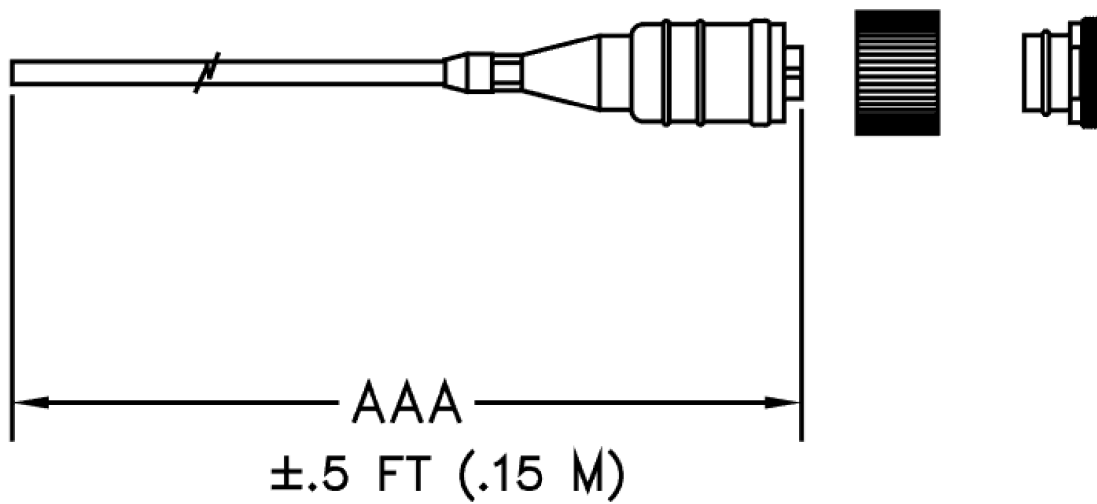


Figure 6: Splash-Proof Interconnect Cable

(For available cable lengths and part numbers, [See Interconnection Cables on page 3.](#))

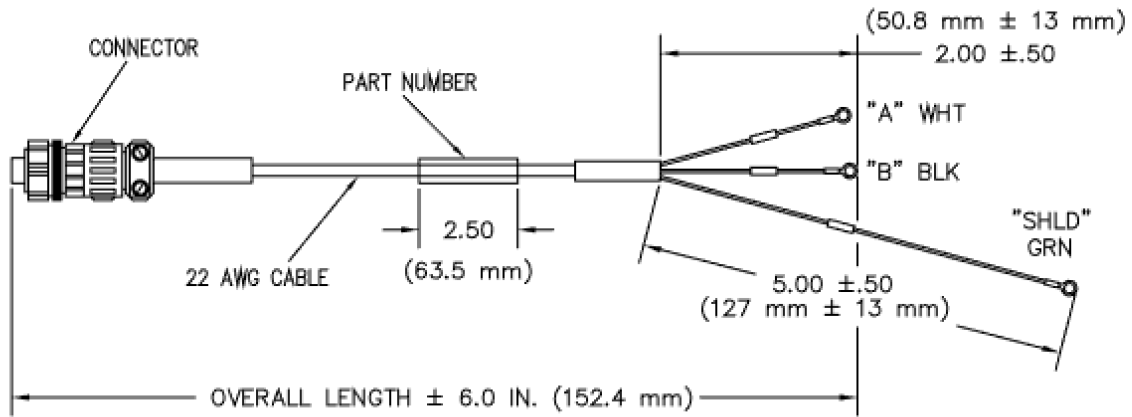


Figure 7: Standard Interconnect Cable

(For available cable lengths and part numbers, [See Interconnection Cables on page 3.](#))

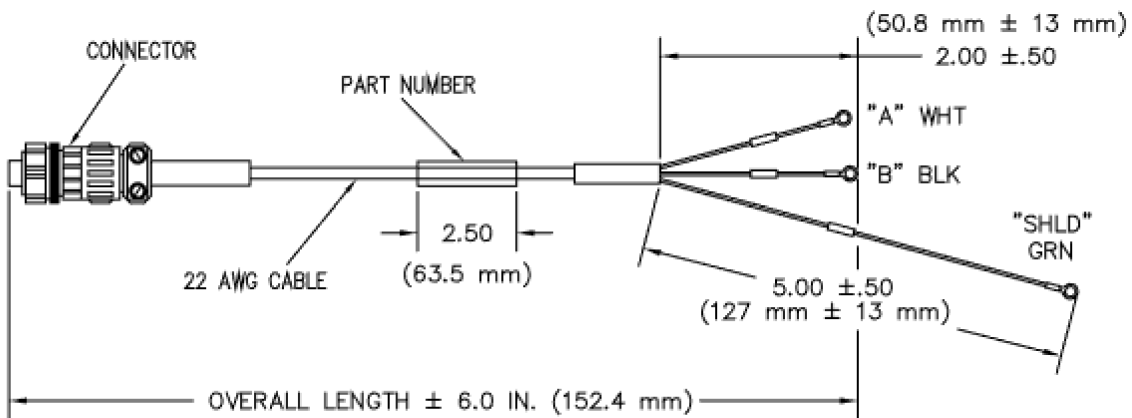


Figure 8: Standard Armored Interconnect Cable

(For available cable lengths and part numbers, [See Interconnection Cables on page 3.](#))

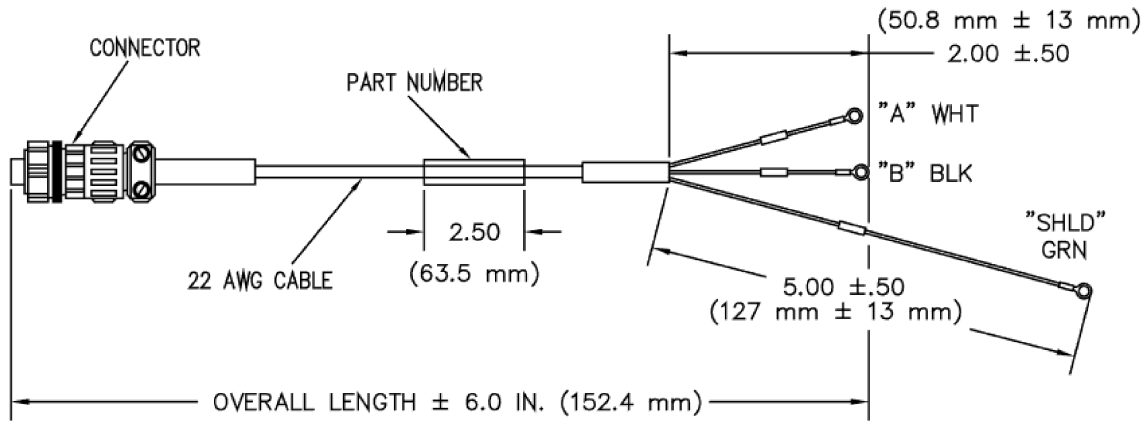


Figure 9: Standard Armored Interconnect Cable

(For available cable lengths and part numbers, [See Interconnection Cables on page 3.](#))

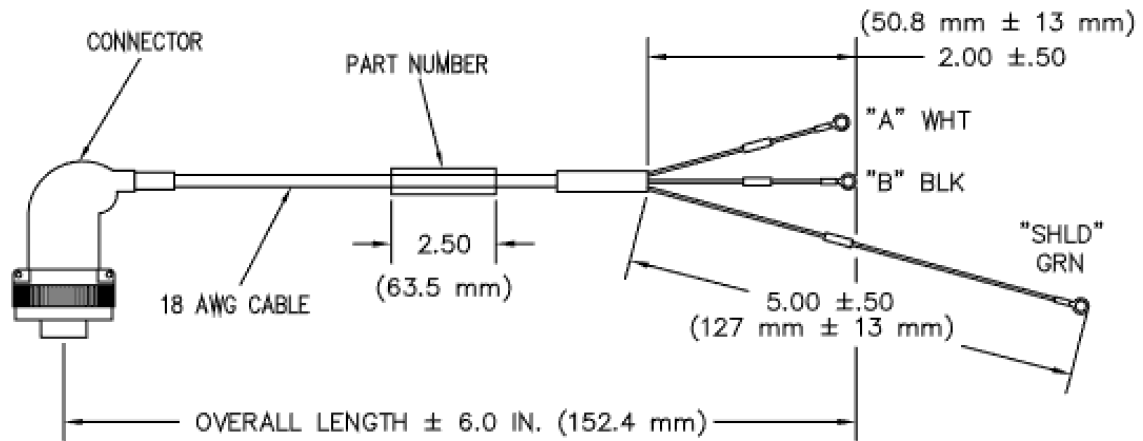


Figure 10: Standard Right-Angle Interconnect Cable

(For available cable lengths and part numbers, [See Interconnection Cables on page 3.](#))

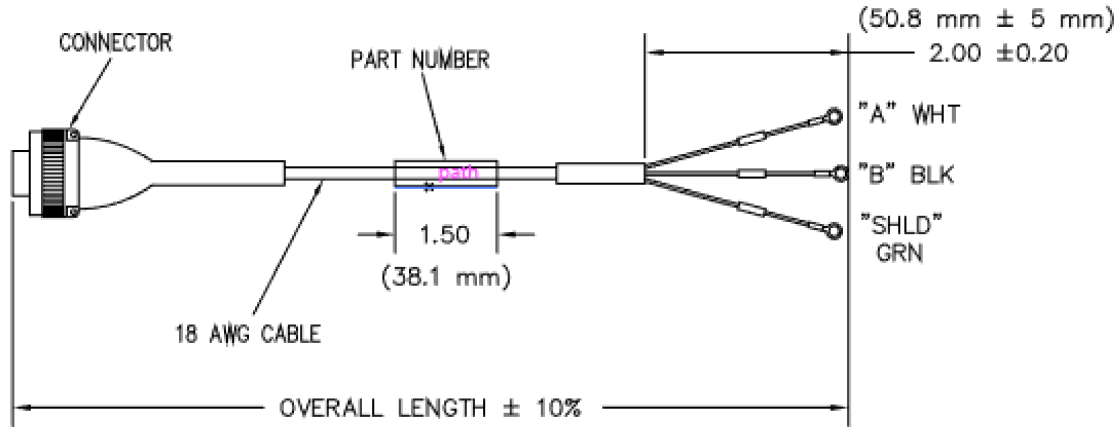


Figure II: Short Run Interconnect Cable

(For available cable lengths and part numbers, [See Interconnection Cables on page 3.](#))

Copyright 2020 Baker Hughes Company. All rights reserved.



Bently Nevada and Orbit Logo are registered trademarks of Bently Nevada, a Baker Hughes Business, in the United States and other countries. The Baker Hughes logo is a trademark of Baker Hughes Company. All other product and company names are trademarks of their respective holders. Use of the trademarks does not imply any affiliation with or endorsement by the respective holders.

Baker Hughes provides this information on an "as is" basis for general information purposes. Baker Hughes does not make any representation as to the accuracy or completeness of the information and makes no warranties of any kind, specific, implied or oral, to the fullest extent permissible by law, including those of merchantability and fitness for a particular purpose or use. Baker Hughes hereby disclaims any and all liability for any direct, indirect, consequential or special damages, claims for lost profits, or third party claims arising from the use of the information, whether a claim is asserted in contract, tort, or otherwise. Baker Hughes reserves the right to make changes in specifications and features shown herein, or discontinue the product described at any time without notice or obligation. Contact your Baker Hughes representative for the most current information.

The information contained in this document is the property of Baker Hughes and its affiliates; and is subject to change without prior notice. It is being supplied as a service to our customers and may not be altered or its content repackaged without the express written consent of Baker Hughes. This product or associated products may be covered by one or more patents. See Bently.com/legal.

1631 Bently Parkway South, Minden, Nevada USA 89423
Phone: 1.775.782.3611 or 1.800.227.5514 (US only)
Bently.com