

PDB-0824

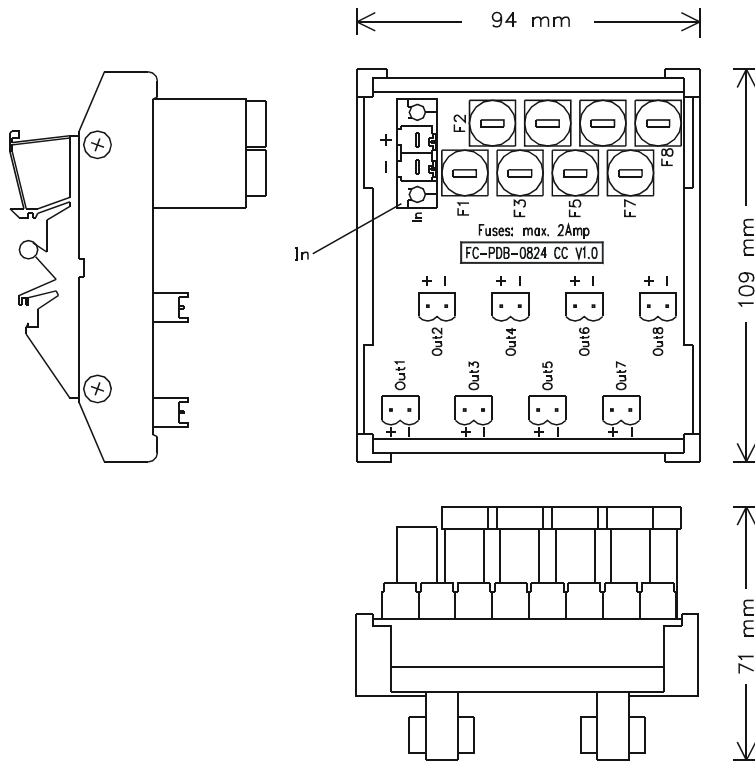
Power Distribution Board (24Vdc, 2 Amp, 8 channel)

Description

The PDB-0824 power distribution board enables easy distribution of 24Vdc from the main power rail to individual 24Vdc devices inside the cabinet enclosure, such as fan units and FTAs.

Figure 496 on page 792 shows the PDB-0824 board with one 24Vdc entry connector (In) for connection to the main bus bar and eight (2 Amp fused) 24Vdc field connectors (Out1 thru Out8) for connection to eight 24Vdc devices.

Figure 496 PDB-0824 board layout



A 24 Vdc power distribution cable (see data sheet “PDC-MB24-x” on page 812 for details) can be used to connect the main power bar to In.

- When using other connection cables make sure the wire size is adequate and a Weidmuller BVZ 7.62/02F SW connector with two keying pins is used to connect to In of the PDB-0824 (see “Pin allocation” on page 793).

24V distribution cables (see “PDC-FTA24” on page 816) connect the PDB-0824 with up to eight 24Vdc devices.

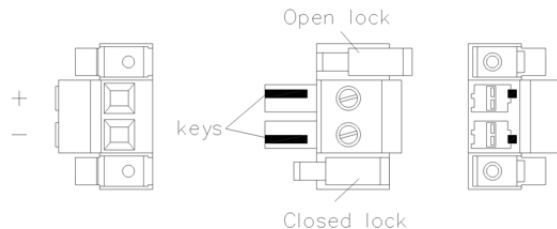
- When using other connection cables make sure the wire size is adequate and a Weidmuller BL 5.08/2 SN OR or equivalent connector is used to connect to one of the Outx connectors of the PDB-0824 (see “Pin allocation” on page 793).

Pin allocation

Figure 497 on page 793 shows the top, side & bottom view and the pin assignment of the Weidmuller BVZ 7.62/02F SW cable-connector on In.

1. The pin marked “+” is pin 1; connect to +24Vdc wire to the main bus bar
2. The pin marked “-” is pin 2; connect to 0Vdc wire to the main bus bar

Figure 497 Power connector on In (Weidmuller BVZ 7.62/02F SW) top, side and bottom view

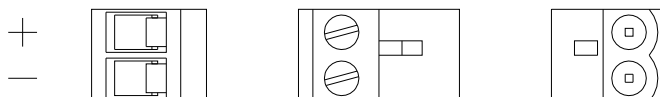


The two (orange) locking slides of the cable-connector in Figure 497 on page 793 keep the cable-connector locked when inserted into In.

Figure 498 on page 793 shows the top, side & bottom view and the pin assignment of the Weidmuller BL 5.08/2 SN OR or equivalent connector to an Outx field connector on the PDB-0824.

1. The pin marked “+” is pin 1; connect to +24Vdc wire to the consumer
2. The pin marked “-” is pin 2; connect to 0Vdc wire to the consumer

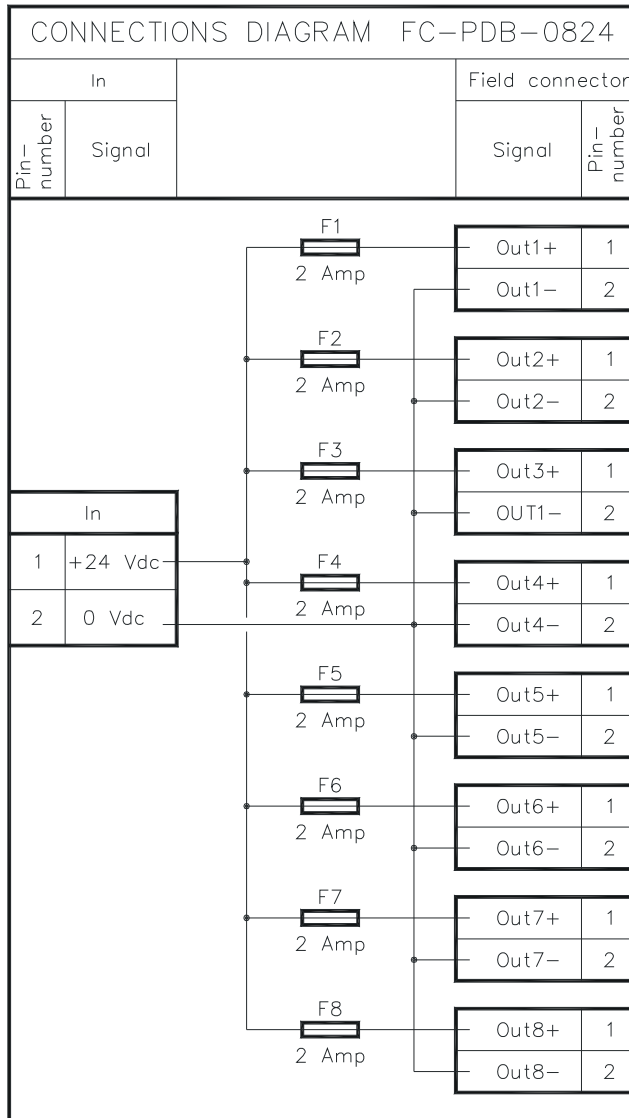
Figure 498 Power connector on Outx (Weidmuller BL 5.08/2 SN OR) top, side and bottom view



Connections

The connection diagram of the PDB-0824 module:

Figure 499 Connection diagram



Technical data

General	Type numbers ¹ :	FC-PDB-0824 CC V1.0
	Approvals:	CE; UL, TUV, CSA pending
Fuses	rating	max. 2 AT (slow acting)
	dimensions:	5 x 20 mm (0.20 x 0.79 in)
Connectors	In make and type:	2 pole header with keying <ul style="list-style-type: none"> • Weidmuller: BVZ 7.62/02F SW (conn.) • Weidmuller: KO BV/SV7.62 (keys)
	Field connector make and type:	2 pole socket block Weidmuller: BL 5.08/2 SN OR
Physical	Module dimensions:	94 x 109 x 71 mm (L x W x H) 3.7 x 4.3 x 2.8 in (L x W x H)
	DIN EN rails:	TS32 / TS35 × 7.5
	Used rail length:	95 mm (3.74 in)

- 1 FC-type modules are conformal coated modules. Conformal coated modules have the letters "CC" preceding the version number.