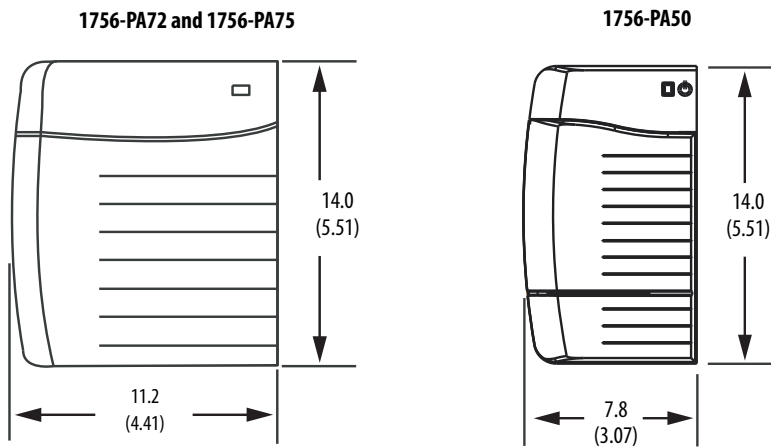


Standard AC Power Supplies

Mounting Dimensions



Dimensions are in cm (in.).

Technical Specifications - Standard AC Power Supplies

Attribute	1756-PA50	1756-PA72/C	1756-PA75/B
Input voltage range ⁽¹⁾	85...265V AC		
Input voltage, nom	120V/240V AC		
Input frequency range	47...63 Hz		
Input power, max	81 W/91VA @ 50 °C (122 °F) 68 W/77VA @ 60 °C (140 °F)	100VA/100 W	
Output power, max	60 W @ 0...+50 °C (+32...+122 °F) ⁽³⁾ 50 W @ 0...+60 °C (+32...+140 °F) ⁽⁴⁾	75 W @ 0...+60 °C (+32...+140 °F) ⁽⁶⁾	
Inrush current, max	20 A		
Hold up time ⁽²⁾	4 cycles @85...265V AC, 50/60 Hz, 60 W 5 cycles @85...265V AC, 50/60 Hz, 50 W	5 cycles @ 85V AC, 50/60 Hz 6 cycles @ 120V AC, 50/60 Hz 6 cycles @ 200V AC, 50/60 Hz 6 cycles @ 240V AC, 50/60 Hz	2 cycles @ 85V AC, 60 Hz 6 cycles @ 120V AC, 60 Hz 20 cycles @ 220V AC, 60 Hz
Current capacity @ 1.2V DC	1.5 A		
Current capacity @ 3.3V DC	2 A	4 A	
Current capacity @ 5.1V DC	8 A @ 50 °C (122 °F) 6 A @ 60 °C (140 °F)	10 A	13 A
Current capacity @ 24V DC	2.5 A @ 50 °C (122 °F) 2.0 A @ 60 °C (140 °F)	2.8 A	
Isolation voltage	250V (continuous), Reinforced Insulation Type, Power Input to Backplane Type tested @ 3150V DC for 60 s	250V (continuous), Reinforced Insulation Type, Power Input to Backplane Type tested at 3500V DC for 60 s	
Weight, approx	0.77 kg (1.7 lb)	0.95 kg (2.10 lb)	
Dimensions (HxWxD), approx	14.0 x 7.8 x 14.5 cm (5.51 x 3.07 x 5.71 in.)	14.0 x 11.2 x 14.5 cm (5.51 x 4.41 x 5.71 in.)	
Module location	Left side of 1756 chassis		
Chassis	1756-A4, 1756-A7, 1756-A10, 1756-A13, 1756-A17		
Chassis compatibility	Series A Series B Series C	Series B Series C	
Wire size	2.5 mm ² (14 AWG) solid or stranded copper wire rated at 90 °C (194 °F), or greater, 1.2 mm (3/64 in.) insulation max		

Technical Specifications - Standard AC Power Supplies

Attribute	1756-PA50	1756-PA72/C	1756-PA75/B
Wire category	1 - on power ports ⁽⁵⁾		
Conductor screw torque	0.8 N·m (7 lb-in)		
North American temperature code	T4		
Enclosure type rating	None (open-style)		

- (1) UL certification for 120/240V AC, 50/60 Hz nominal. Rockwell Automation specified 85...265V AC, 47...63 Hz.
 (2) The hold up time is the time between input voltage removal and DC power failure.
 (3) The combination of all output power (5.1V backplane, 24V backplane, 3.3V backplane, and 1.2V backplane) cannot exceed 60 W @ 50 °C (122 °F) maximum temperature.
 (4) The combination of all output power (5.1V backplane, 24V backplane, 3.3V backplane, and 1.2V backplane) cannot exceed 50 W @ 60 °C (140 °F) maximum temperature.
 (5) Use this conductor category information to plan conductor routing as described in the system level installation manual. See the Industrial Automation Wiring and Grounding Guidelines, publication [1770-4.1](#).
 (6) The combination of all output power (5.1V backplane, 24V backplane, 3.3V backplane, and 1.2V backplane) cannot exceed 75 W.

Environmental Specifications - Standard AC Power Supplies

Attribute	1756-PA50	1756-PA72/C, 1756-PA75/B
Temperature, operating IEC 60068-2-1 (Test Ad, Operating Cold), IEC 60068-2-2 (Test Bd, Operating Dry Heat), IEC 60068-2-14 (Test Nb, Operating Thermal Shock)	0 °C < Ta < +60 °C (+32 °F < Ta < +140 °F)	
Temperature, surrounding air, max	60 °C (140 °F)	
Temperature, non-operating IEC 60068-2-1 (Test Ab, Unpackaged Nonoperating Cold), IEC 60068-2-2 (Test Bb, Unpackaged Nonoperating Dry Heat), IEC 60068-2-14 (Test Na, Unpackaged Nonoperating Thermal Shock)	-40...+85 °C (-40...+185 °F)	
Relative humidity IEC 60068-2-30 (Test Db, Unpackaged Damp Heat)	5...95% noncondensing	
Vibration IEC 60068-2-6 (Test Fc, Operating)	2 g @ 10...500 Hz	
Shock, operating IEC 60068-2-27 (Test Ea, Unpackaged Shock)	30 g	
Shock, nonoperating IEC 60068-2-27 (Test Ea, Unpackaged Shock)	50 g ⁽¹⁾	
Emissions	IEC 61000-6-4	
ESD immunity IEC 61000-4-2	6 kV contact discharges 8 kV air discharges	
Radiated RF immunity IEC 61000-4-3	10V/m with 1 kHz sine-wave 80% AM from 80...2000 MHz 10V/m with 200 Hz 50% Pulse 100% AM @ 900 MHz 10V/m with 200 Hz 50% Pulse 100% AM @ 1890 MHz 3V/m with 1kHz sine-wave 80% AM from 2000...2700 MHz	
EFT/B immunity IEC 61000-4-4	±4 kV at 5 kHz on power ports	
Surge transient immunity IEC 61000-4-5	±1 kV line-line (DM) and ±2 kV line-earth (CM) on power ports	
Conducted RF immunity IEC 61000-4-6	10V rms with 1 kHz sine-wave 80% AM from 150 kHz...80 MHz	
Voltage variation IEC 61000-4-11	30% dips for 1 period at 0° and 180° on AC supply ports 60% dips for 5 and 50 periods on AC supply ports ±10% fluctuations for 15 min on AC supply ports >95% interruptions for 250 periods on AC supply ports	
Damped oscillatory wave immunity IEC 61000-4-18	±2.5 kV line-line (DM) and ±2.5 kV line-earth (CM) on power ports	—

- (1) Series C chassis have a maximum nonoperating shock value of 30 g. If you select a Series C chassis for use with your power supply, you are limited to a maximum nonoperating shock value of 30 g.

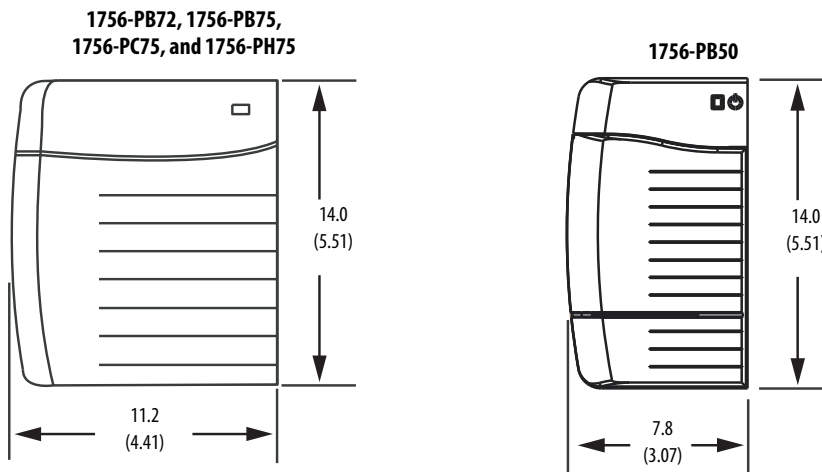
Certifications - Standard AC Power Supplies

Certification⁽¹⁾	1756-PA50	1756-PA72/C	1756-PA75/B
UL	–	UL Listed Industrial Control Equipment. See UL File E65584.	
c-UL-us	UL Listed Industrial Control Equipment, certified for US and Canada. See UL File E65584. UL Listed for Class I, Division 2 Group A,B,C,D Hazardous Locations, certified for U.S. and Canada. See UL File E194810.	–	
CSA	–	CSA Certified Process Control Equipment. See CSA File LR54689C. CSA Certified Process Control Equipment for Class I, Division 2 Group A,B,C,D Hazardous Locations. See CSA File LR69960C.	
FM	FM Approved Equipment for use in Class I Division 2 Group A,B,C,D Hazardous Locations		
CE	European Union 2014/30/EU EMC Directive, compliant with: <ul style="list-style-type: none"> • EN 61326-1; Meas./Control/Lab., Industrial Requirements • EN 61000-6-2; Industrial Immunity • EN 61000-6-4; Industrial Emissions • EN 61131-2; Programmable Controllers (Clause 8, Zone A & B) European Union 2014/35/EU LVD, compliant with: <ul style="list-style-type: none"> • EN 61010-2-201; Control Equipment Safety Requirements 	European Union 2014/30/EU EMC Directive, compliant with: <ul style="list-style-type: none"> • EN 61326-1; Meas./Control/Lab., Industrial Requirements • EN 61000-6-2; Industrial Immunity • EN 61000-6-4; Industrial Emissions • EN 61131-2; Programmable Controllers (Clause 8, Zone A & B) European Union 2014/35/EU LVD, compliant with: <ul style="list-style-type: none"> • EN 61131-2; Programmable Controllers (Clause 11) 	
RCM	Australian Radiocommunications Act, compliant with: <ul style="list-style-type: none"> • EN 61000-6-4; Industrial Emissions 		
KC	Korean Registration of Broadcasting and Communications Equipment, compliant with: <ul style="list-style-type: none"> • Article 58-2 of Radio Waves Act, Clause 3 		
EAC	Russian Customs Union TR CU 020/2011 EMC Technical Regulation Russian Customs Union TR CU 004/2011 LV Technical Regulation		

(1) See the Product Certification link at <http://www.ab.com> for Declarations of Conformity, Certificates, and other certification details.

Standard DC Power Supplies

Mounting Dimensions



Dimensions are in cm (in.).

Technical Specifications - Standard DC Power Supplies

Attribute	1756-PB50	1756-PB72/C	1756-PB75/B	1756-PC75/B	1756-PH75/B
Input voltage range	18...32V DC ⁽²⁾			30...60V DC ⁽⁵⁾	90...143V DC ⁽⁶⁾
Input voltage, nom	24V DC			48V DC	125V DC
Input power, max	85 W @ 50 °C (122 °F) 70 W @ 60 °C (140 °F)	95 W			
Output power, max	60 W @ 0...50 °C (32...122 °F) 50 W @ 0...60 °C (32...140 °F)	75 W @ 0...60 °C (32...140 °F) ⁽⁴⁾			
Inrush current, max	30 A				
Hold up time ⁽¹⁾	30 ms @ 18...32V DC, 60 W 40 ms @ 18...32V DC, 50 W	35 ms @ 18V DC 40 ms @ 24V DC 40 ms @ 32V DC		50 ms @ 30...60V DC nom	50 ms @ 90...143V DC nom
Current capacity @ 1.2V	1.5 A				
Current capacity @ 3.3V	2 A	4 A			
Current capacity @ 5.1V	8 A @ 50 °C (122 °F) 6 A @ 60 °C (140 °F)	10 A	13 A		
Current capacity @ 24V	2.5 A @ 50 °C (122 °F) 2.0 A @ 60 °C (140 °F)	2.8 A			
Isolation voltage	250V (continuous), Reinforced Insulation Type, Power Input to Backplane Type tested @ 3150V DC for 60 s	250V (continuous), Reinforced Insulation Type, Power Input to Backplane Type tested @ 3500V DC for 60 s			
Weight, approx	0.77 kg (1.7 lb)	0.95 kg (2.10 lb)			
Dimensions (HxWxD), approx	14.0 x 7.8 x 14.5 cm (5.51 x 3.07 x 5.71 in.)	14.0 x 11.2 x 14.5 cm (5.51 x 4.41 x 5.71 in.)			
Module location	Left side of 1756 chassis				
Chassis	1756-A4, 1756-A7, 1756-A10, 1756-A13, 1756-A17				

Technical Specifications - Standard DC Power Supplies

Attribute	1756-PB50	1756-PB72/C	1756-PB75/B	1756-PC75/B	1756-PH75/B
Chassis compatibility	Series A Series B Series C		Series B Series C		
Wire size	2.5 mm ² (14 AWG) solid or stranded copper wire rated at 90 °C (194 °F), or greater, 1.2 mm (3/64 in.) insulation max				
Wire category	1 - on power ports ⁽³⁾				
Conductor screw torque	0.8 N·m (7 lb-in)				
North American temperature code	T4				
ATEX temperature code	T4			-	
IEC temperature code	T4			-	
Enclosure type rating	None (open-style)				

- (1) The hold up time is the time between input voltage removal and DC power failure.
 (2) UL certification for 24V DC nominal. Rockwell Automation specified 18...32V DC.
 (3) Use this conductor category information to plan conductor routing as described in the system level installation manual. See the Industrial Automation Wiring and Grounding Guidelines, publication [1770-4.1](#).
 (4) The combination of all output power (5.1V backplane, 24V backplane, 3.3V backplane, and 1.2V backplane) cannot exceed 75 W.
 (5) UL Certification for 48V DC nominal. Rockwell Automation specified 30...60V DC.
 (6) UL certification for 125V DC nominal. Rockwell Automation specified 90...143V DC.

Environmental Specifications - Standard DC Power Supplies

Attribute	1756-PB50	1756-PB72/C, 1756-PB75/B	1756-PC75/B, 1756-PH75/B
Temperature, operating IEC 60068-2-1 (Test Ad, Operating Cold), IEC 60068-2-2 (Test Bd, Operating Dry Heat), IEC 60068-2-14 (Test Nb, Operating Thermal Shock)	0 °C < Ta < +60 °C (+32 °F < Ta < +140 °F)		
Temperature, surrounding air, max	60 °C (140 °F)		
Temperature, nonoperating IEC 60068-2-1 (Test Ab, Unpackaged Nonoperating Cold), IEC 60068-2-2 (Test Bb, Unpackaged Nonoperating Dry Heat), IEC 60068-2-14 (Test Na, Unpackaged Nonoperating Thermal Shock)	-40...+85 °C (-40...+185 °F)		
Relative humidity IEC 60068-2-30 (Test Db, Unpackaged Damp Heat)	5...95% noncondensing		
Vibration IEC 60068-2-6 (Test Fc, Operating)	2 g @ 10...500 Hz		
Shock, operating IEC 60068-2-27 (Test Ea, Unpackaged Shock)	30 g		
Shock, nonoperating IEC 60068-2-27 (Test Ea, Unpackaged Shock)	50 g ⁽¹⁾		
Emissions	IEC 61000-6-4		
ESD immunity IEC 61000-4-2	6 kV contact discharges 8 kV air discharges		
Radiated RF immunity IEC 61000-4-3	10V/m with 1 kHz sine-wave 80% AM from 80...2000 MHz 10V/m with 200 Hz 50% Pulse 100% AM @ 900 MHz 10V/m with 200 Hz 50% Pulse 100% AM @ 1890 MHz 3V/m with 1 kHz sine-wave 80% AM from 2000...2700 MHz		
EFT/B immunity IEC 61000-4-4	±4 kV at 5 kHz on power ports		

Environmental Specifications - Standard DC Power Supplies

Attribute	1756-PB50	1756-PB72/C, 1756-PB75/B	1756-PC75/B, 1756-PH75/B
Surge transient immunity IEC 61000-4-5	±1 kV line-line (DM) and ±2 kV line-earth (CM) on power ports		
Conducted RF immunity IEC 61000-4-6	10V rms with 1 kHz sine-wave 80% AM from 150 kHz...80 MHz		
Voltage variation IEC 61000-4-29	10 ms interruption on DC supply ports ⁽²⁾ 60% dips for 100 ms on DC supply ports 100% dips for 50 ms on DC supply ports ±20% fluctuations for 15 min on DC supply ports 5 s interruptions on DC supply ports ⁽³⁾		

(1) Series C chassis have a maximum nonoperating shock value of 30 g. If you select a Series C chassis for use with your power supply, you are limited to a maximum nonoperating shock value of 30 g.

(2) Short interruption test verifies ride through. The supply remains fully functional under this condition.

(3) Long interruption test verifies that repetitive inrush surge currents do not create any unsafe conditions. The supply fully shuts down and starts up in this test.

Certifications - Standard DC Power Supplies

Certification ⁽¹⁾	1756-PB50	1756-PB72/C, 1756-PB75/B	1756-PC75/B, 1756-PH75/B
UL	–		UL Listed Industrial Control Equipment. See UL File E65584.
c-UL-us	UL Listed Industrial Control Equipment, certified for US and Canada. See UL File E65584. UL Listed for Class I, Division 2 Group A,B,C,D Hazardous Locations, certified for US and Canada. See UL File E194810.		–
CSA	–	CSA Certified Process Control Equipment. See CSA File LR54689C. CSA Certified Process Control Equipment for Class I, Division 2 Group A,B,C,D Hazardous Locations. See CSA File LR69960C.	
FM	FM Approved Equipment for use in Class I Division 2 Group A,B,C,D Hazardous Locations		–
CE	European Union 2014/30/EU EMC Directive, compliant with: • EN 61326-1; Meas./Control/Lab., Industrial Requirements • EN 61000-6-2; Industrial Immunity • EN 61131-2; Programmable Controllers (Clause 8, Zone A & B) • EN 61000-6-4; Industrial Emissions European Union 2014/35/EU LVD, compliant with: • EN 61010-2-201; Control Equipment Safety Requirements	European Union 2014/30/EU EMC Directive, compliant with: • EN 61326-1; Meas./Control/Lab., Industrial Requirements • EN 61000-6-2; Industrial Immunity • EN 61000-6-4; Industrial Emissions • EN 61131-2; Programmable Controllers (Clause 8, Zone A & B) European Union 2014/35/EU LVD, compliant with: • EN 61131-2; Programmable Controllers (Clause 11)	
RCM	Australian Radiocommunications Act, compliant with: • EN 61000-6-4; Industrial Emissions		
Ex	European Union 2014/34/EU ATEX Directive, compliant with: • EN 60079-0; General Requirements • EN 60079-15; Potentially Explosive Atmospheres, Protection "n" • II 3 G Ex nA IIC T4 Gc • DEMKO13ATEX1325026X		–
IECEx	IECEx System, compliant with: • IEC 60079-0; General Requirements • IEC 60079-15; Potentially Explosive Atmospheres, Protection "n" • II 3 G Ex nA IIC T4 Gc • IECEx UL 14.0008X		–
KC	Korean Registration of Broadcasting and Communications Equipment, compliant with: • Article 58-2 of Radio Waves Act, Clause 3		
EAC	Russian Customs Union TR CU 020/2011 EMC Technical Regulation Russian Customs Union TR CU 004/2011 LV Technical Regulation		

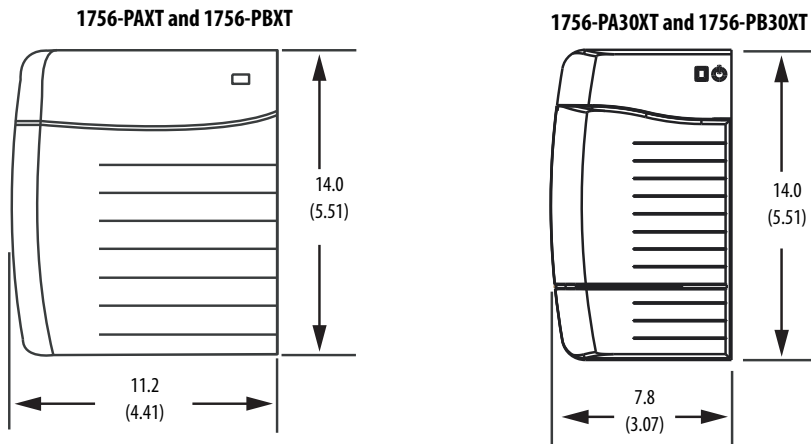
(1) When marked. See the Product Certification link at <http://www.ab.com> for Declarations of Conformity, Certificates, and other certification details.

1756 ControlLogix-XT Power Supplies

The ControlLogix-XT products include control and communication system components that, when used with FLEX I/O-XT™ products, provide a complete control system solution that you can use in environments where temperatures range from -20...+70 °C (-4...+158 °F).

When used independently, the ControlLogix-XT system can withstand environments where the temperature ranges from -25...+70 °C (-13...+158 °F).

Mounting Dimensions



Dimensions are in cm (in.).

Technical Specifications - ControlLogix-XT Power Supplies

Attribute	1756-PAXT	1756-PA30XT	1756-PBXT	1756-PB30XT
Input voltage range	85...265V AC ⁽¹⁾		18...32V DC	18...32V DC ⁽³⁾
Input voltage, nom	120/240V AC		24V DC	
Input frequency range	47...63 Hz		-	
Input power, max	82VA 64 W	60VA 50 W	70 W	50 W
Output power, max	42 W @ -25...+70 °C (-13...+158 °F)	30 W @ -25...+70 °C (-13...+158 °F)	52 W @ -25...+70 °C (-13...+158 °F)	30 W @ -25...+70 °C (-13...+158 °F)
Inrush current, max	20 A		30 A	
Current capacity @ 1.2V	1.5 A			
Current capacity @3.3V	4 A	2 A	4 A	2 A
Current capacity @ 5.1V	8 A	6 A	10 A	6 A
Current capacity @ 24V	1.75 A	1.25 A	2.1 A	1.25 A
Isolation voltage	250V (continuous), Reinforced Insulation Type, Power Input to Backplane Type tested @ 3260V DC for 60 s	250V (continuous), Reinforced Insulation Type, Power Input to Backplane Type tested @ 3150V DC for 60 s	250V (continuous), Reinforced Insulation Type, Power Input to Backplane Type tested @ 3260V DC for 60 s	250V (continuous), Reinforced Insulation Type, Power Input to Backplane Type tested @ 3150V DC for 60 s
Weight, approx	0.95 kg (2.10 lb)	0.77 kg (1.7 lb)	0.95 kg (2.10 lb)	0.77 kg (1.7 lb)
Dimensions (HxWxD), approx	14.0 x 11.2 x 14.5 cm (5.51 x 4.41 x 5.71 in.)	14.0 x 7.8 x 14.5 cm (5.51 x 3.07 x 5.71 in.)	14.0 x 11.2 x 14.5 cm (5.51 x 4.41 x 5.71 in.)	14.0 x 7.8 x 14.5 cm (5.51 x 3.07 x 5.71 in.)
Module location	Left side of 1756 chassis			

Technical Specifications - ControlLogix-XT Power Supplies

Attribute	1756-PAXT	1756-PA30XT	1756-PBXT	1756-PB30XT
Chassis	1756-A4LXT/B, 1756-A5XT/B, 1756-A7LXT/B, 1756-A7XT/B, 1756-A7XT/C, 1756-A10XT/C			
Wire size	2.5 mm ² (14 AWG) solid or stranded copper wire rated at 90 °C (194 °F), or greater, 1.2 mm (3/64 in.) insulation, max			
Wire category	1 - on power ports ⁽²⁾			
Conductor screw torque	0.8 N•m (7 lb•in)			
North American temperature code	T4	T4	T4A	T4
ATEX temperature code	–		T4	
IEC temperature code	–		T4	
Enclosure type rating	None (open-style)			

(1) UL certification for 120/240V AC, 50/60 Hz nominal. Rockwell Automation specified 85...265V AC, 47...63 Hz.

(2) Use this conductor category information to plan conductor routing as described in the system level installation manual. See the Industrial Automation Wiring and Grounding Guidelines, publication [1770-4.1](#).

(3) UL certification for 24V DC nominal. Rockwell Automation specified 18...32V DC.

Environmental Specifications - ControlLogix-XT Power Supplies

Attribute	1756-PAXT	1756-PA30XT	1756-PBXT	1756-PB30XT
Temperature, operating IEC 60068-2-1 (Test Ad, Operating Cold), IEC 60068-2-2 (Test Bd, Operating Dry Heat), IEC 60068-2-14 (Test Nb, Operating Thermal Shock)	-25 °C < Ta < +70 °C (-13 °F < Ta < +158 °F)			
Temperature, surrounding air, max	70 °C (158 °F)			
Temperature, nonoperating IEC 60068-2-1 (Test Ab, Unpackaged Nonoperating Cold), IEC 60068-2-2 (Test Bb, Unpackaged Nonoperating Dry Heat), IEC 60068-2-14 (Test Na, Unpackaged Nonoperating Thermal Shock)	-40...+85 °C (-40...+185 °F)			
Relative humidity IEC 60068-2-30 (Test Db, Unpackaged Damp Heat)	5...95% noncondensing			
Vibration IEC 60068-2-6 (Test Fc, Operating)	2 g @ 10...500 Hz			
Shock, operating IEC 60068-2-27 (Test Ea, Unpackaged Shock)	30 g			
Shock, nonoperating IEC 60068-2-27 (Test Ea, Unpackaged Shock)	50 g ⁽¹⁾			
Emissions	IEC 61000-6-4			
ESD immunity IEC 61000-4-2	6 kV contact discharges 8 kV air discharges			
Radiated RF immunity IEC 61000-4-3	10V/m with 1 kHz sine-wave 80% AM from 80...2000 MHz 10V/m with 200 Hz 50% Pulse 100% AM at 900 MHz 10V/m with 200 Hz 50% Pulse 100% AM at 1890 MHz 3V/m with 1 kHz sine-wave 80% AM from 2000...2700 MHz			
EFT/B immunity IEC 61000-4-4	±4 kV at 5 kHz on power ports			
Surge transient immunity IEC 61000-4-5	±1 kV line-line (DM) and ±2 kV line-earth (CM) on power ports			
Conducted RF immunity IEC 61000-4-6	10V rms with 1 kHz sine-wave 80% AM from 150 kHz...80 MHz			

Environmental Specifications - ControlLogix-XT Power Supplies

Attribute	1756-PAXT	1756-PA30XT	1756-PBXT	1756-PB30XT
Voltage variation IEC 61000-4-11	30% dips for 1 period at 0° and 180° on AC supply ports 60% dips for 5 and 50 periods on AC supply ports ±10% fluctuations for 15 min on AC supply ports >95% interruptions for 250 periods on AC supply ports		–	
Voltage variation IEC 61000-4-29	–		10 ms interruption on DC supply ports ⁽²⁾ 60% dips for 100 ms on DC supply ports 100% dips for 50 ms on DC supply ports ±20% fluctuations for 15 min on DC supply ports 5 s interruptions on DC supply ports ⁽³⁾	
Damped oscillatory wave immunity IEC 61000-4-18	–	±2.5 kV line-line (DM) and ±2.5 kV line-earth (CM) on power ports	–	±2.5 kV line-line (DM) and ±2.5 kV line-earth (CM) on power ports

(1) Series C chassis have a maximum nonoperating shock value of 30 g. If you select a Series C chassis for use with your power supply, you are limited to a maximum nonoperating shock value of 30 g.

(2) Short interruption test verifies ride through. The supply remains fully functional under this condition.

(3) Long interruption test verifies that repetitive inrush surge currents do not create any unsafe conditions. The supply fully shuts down and starts up in this test.

Certifications - ControlLogix-XT Power Supplies

Certification ⁽¹⁾	1756-PAXT	1756-PA30XT	1756-PBXT	1756-PB30XT
c-UL-us	UL Listed Industrial Control Equipment, certified for US and Canada. See UL File E65584. UL Listed for Class I, Division 2 Group A,B,C,D Hazardous Locations, certified for US and Canada. See UL File E194810.			
CE	European Union 2014/30/EU EMC Directive, compliant with: • EN 61326-1; Meas./Control/Lab., Industrial Requirements • EN 61000-6-2; Industrial Immunity • EN 61000-6-4; Industrial Emissions • EN 61131-2; Programmable Controllers (Clause 8, Zone A & B) European Union 2014/35/EU LVD, compliant with: • EN 61131-2; Programmable Controllers (Clause 11)	European Union 2014/30/EU EMC Directive, compliant with: • EN 61326-1; Meas./Control/Lab., Industrial Requirements • EN 61000-6-2; Industrial Immunity • EN 61000-6-4; Industrial Emissions • EN 61131-2; Programmable Controllers (Clause 8, Zone A & B) European Union 2014/35/EU LVD, compliant with: • EN 61010-2-201; Control Equipment Safety Requirements	European Union 2014/30/EU EMC Directive, compliant with: • EN 61326-1; Meas./Control/Lab., Industrial Requirements • EN 61000-6-2; Industrial Immunity • EN 61000-6-4; Industrial Emissions • EN 61131-2; Programmable Controllers (Clause 8, Zone A & B) European Union 2014/35/EU LVD, compliant with: • EN 61131-2; Programmable Controllers (Clause 11)	European Union 2014/30/EU EMC Directive, compliant with: • EN 61326-1; Meas./Control/Lab., Industrial Requirements • EN 61000-6-2; Industrial Immunity • EN 61000-6-4; Industrial Emissions • EN 61131-2; Programmable Controllers (Clause 8, Zone A & B) European Union 2014/35/EU LVD, compliant with: • EN 61010-2-201; Control Equipment Safety Requirements
RCM	Australian Radiocommunications Act, compliant with: EN 61000-6-4; Industrial Emissions			
Ex	–		European Union 2014/34/EU ATEX Directive, compliant with: • EN 60079-0; General Requirements • EN 60079-15; Potentially Explosive Atmospheres, Protection "n" • II 3 G Ex nA IICT4 Gc X • DEMKO13ATEX1325026X	
IECEx	–		IECEx System, compliant with: • IEC 60079-0; General Requirements • IEC 60079-15; Potentially Explosive Atmospheres, Protection "n" • II 3 G Ex nA IICT4 Gc • IECEx UL 14.0008X	
KC	Korean Registration of Broadcasting and Communications Equipment, compliant with: • Article 58-2 of Radio Waves Act, Clause 3			
EAC	Russian Customs Union TR CU 020/2011 EMC Technical Regulation Russian Customs Union TR CU 004/2011 LV Technical Regulation			

(1) When marked. See the Product Certification link at <http://www.ab.com> for Declarations of Conformity, Certificates, and other certification details.

Redundant Power Supplies

To build a redundant power supply system, you need the following.

Cat. No.	Description	Amount
1756-PA75R/A, 1756-PAXTR, 1756-PB75R/A, or 1756-PBXTR	Redundant power supply	2
1756-CPR2 ⁽¹⁾ 1756-CPR2D ⁽²⁾ or 1756-CPR2U ⁽²⁾	Redundant power supply cable (Length = 0.91 m [3 ft])	2
1756-PSCA2 or 1756-PSCA2XT	Redundant power supply chassis adapter ⁽³⁾	1
User-supplied	Annunciator wiring ⁽⁴⁾ (Length, max = 10 m [32.8 ft])	2

(1) Cable bend radius is 12.7 cm (5.0 in.).

(2) Requires 10.16 cm (4.0 in.) of clearance next to the chassis adapter.

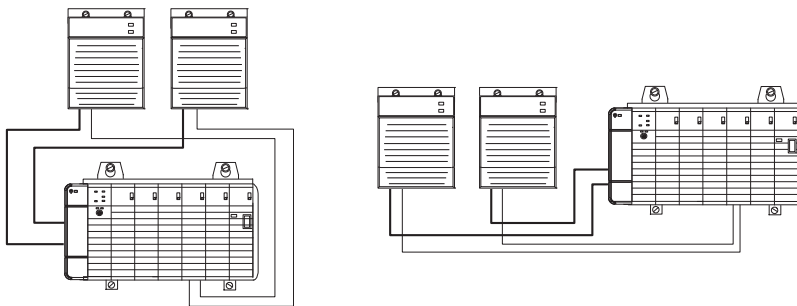
(3) The 1756-PSCA2 or 1756-PSCA-2XT chassis adapter is a passive device. The adapter funnels power from the redundant power supplies to the single power connector on the ControlLogix series B chassis backplane.

(4) Optional user-provided annunciator wiring can be connected to the solid-state relay for status and troubleshooting.

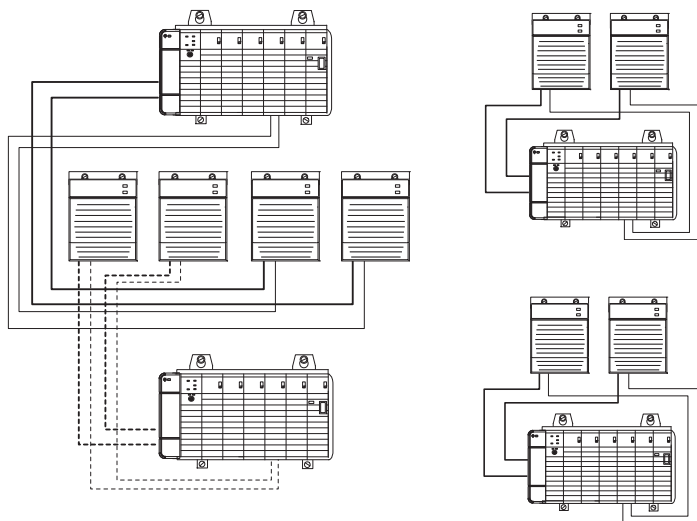
System Configuration Recommendations

We recommend that you use one of these methods to configure your redundant power supply system.

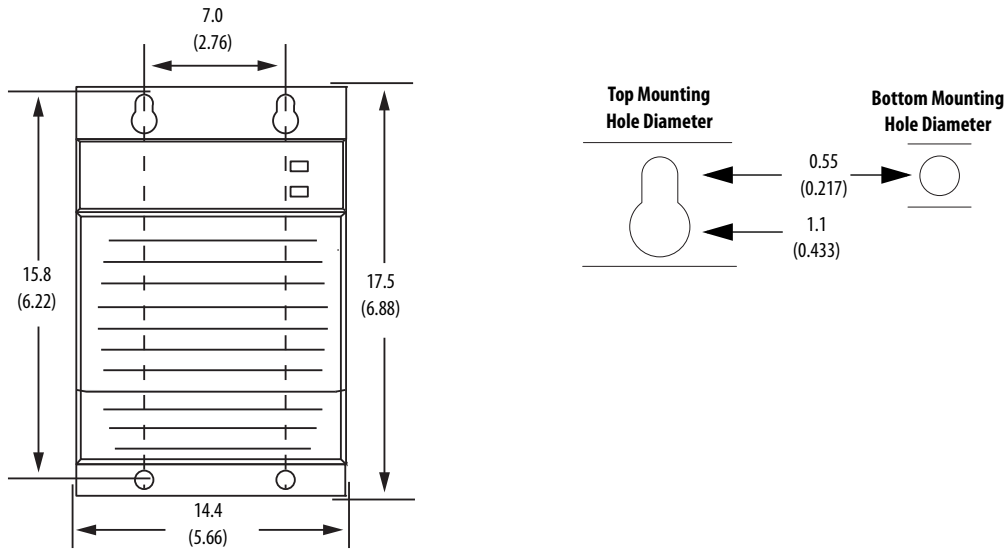
Recommended Configurations for a System That Uses One Chassis



Recommended Configurations for a System That Uses Two Chassis



Mounting Dimensions



Dimensions are in cm (in.).

Redundant Power Supply Features

The redundant power supplies offer the same features as the standard power supplies, and the following:

- Redundant operation
- Automatic chassis load sharing between the redundant power supplies
- Status indicators for visual operating status of the pair
- Solid-state relay for system recognition of supply status when wired to an input module
- The ControlLogix redundant power supply system is designed to account for operational anomalies in only the power supply (the chassis adapter and power supply cables are excluded)

Technical Specifications - ControlLogix Redundant Power Supplies

Attribute	1756-PA75R	1756-PB75R
Input voltage range	85...265V AC ⁽¹⁾	18...32V DC ⁽²⁾
Input voltage	120V/240V AC, 50/60 Hz	24V DC
Input frequency range	47...63 Hz	–
Input power, max	120VA 115 W	110 W
Output power, max	75 W @ 0...60 °C (32...140 °F)	
Inrush current, max	20 A	30 A
Hold up time ⁽³⁾	2 cycles @ 60 Hz 2 cycles @ 50 Hz	20 ms
Current capacity @ 1.2V	1.5 A	
Current capacity @ 3.3V	4 A	
Current capacity @ 5.1V	13 A	
Current capacity @ 24V	2.8 A	
Annunciator power	240V AC 50/60 Hz, 240V DC, 50 mA, resistive only	90V DC for ATEX/IECEx
Isolation voltage	250V (continuous), Reinforced Insulation Type, Power Input to Backplane, Power Input to Annunciator, Annunciator to Backplane Type tested at 3250V DC for 60 s	

Technical Specifications - ControlLogix Redundant Power Supplies

Attribute	1756-PA75R	1756-PB75R
Dimensions (HxWxD), approx	17.5 x 14.5 x 13.7 cm (6.9 x 5.7 x 5.4 in.)	
Weight, approx	1.45 kg (3.2 lb)	
Chassis	1756-A4, 1756-A7, 1756-A10, 1756-A13, 1756-A17	
Wire size	Power: 2.5 mm ² (14 AWG) solid or stranded copper wire rated at 90 °C (194 °F), or greater, 1.2 mm (3/64 in.) insulation max Annunciator: 0.25...2.5 mm ² (22...14 AWG) solid or stranded copper wire rated at 90 °C (194 °F), or greater, 1.2 mm (3/64 in.) insulation max	
Wire category ⁽⁴⁾	3 - on annunciator ports 1 - on power ports 3 - on 1756-CPR2 connections	
Pilot duty rating	Annunciator - not rated	
Conductor screw torque	0.79 N·m (7 lb·in)	
North American temperature code	T3C	T4
ATEX temperature code	–	T4
IEC temperature code	–	T4
Enclosure type rating	None (open-style)	

- (1) UL certification for 120/240V AC, 50/60 Hz nominal. Rockwell Automation specified 85...265V AC, 47...63 Hz.
(2) UL certification for 24V DC nominal. Rockwell Automation specified 18...32V DC.
(3) The hold up time is the time between input voltage removal and DC power failure.
(4) Use this conductor category information to plan conductor routing. See the Industrial Automation Wiring and Grounding Guidelines, publication [1770-4.1](#).

Environmental Specifications - Redundant Power Supplies

Attribute	1756-PA75R	1756-PB75R
Temperature, operating IEC 60068-2-1 (Test Ad, Operating Cold), IEC 60068-2-2 (Test Bd, Operating Dry Heat), IEC 60068-2-14 (Test Nb, Operating Thermal Shock)	0...60 °C (32...140 °F)	
Temperature, surrounding air, max	60 °C 140 °F)	
Temperature, nonoperating IEC 60068-2-1 (Test Ab, Unpackaged Nonoperating Cold), IEC 60068-2-2 (Test Bb, Unpackaged Nonoperating Dry Heat), IEC 60068-2-14 (Test Na, Unpackaged Nonoperating Thermal Shock)	-40...+85 °C (-40...+185 °F)	
Relative humidity IEC 60068-2-30 (Test Db, Unpackaged Damp Heat)	5...95% noncondensing	
Vibration IEC 60068-2-6 (Test Fc, Operating)	2 g @ 10...500 Hz	
Shock, operating IEC 60068-2-27 (Test Ea, Unpackaged Shock)	30 g	
Shock, nonoperating IEC 60068-2-27 (Test Ea, Unpackaged Shock)	50 g	
Emissions	IEC 61000-6-4	
ESD immunity IEC 61000-4-2	6 kV contact discharges 8 kV air discharges	
Radiated RF immunity IEC 61000-4-3	10V/m with 1 kHz sine-wave 80% AM from 80...2000 MHz 10V/m with 200 Hz 50% Pulse 100% AM @ 900 MHz 10V/m with 200 Hz 50% Pulse 100% AM at 1890 MHz 3V/m with 1 kHz sine-wave 80% AM from 2000...2700 MHz	
EFT/B immunity IEC 61000-4-4	±4 kV at 5 kHz on power ports ±4 kV at 5 kHz on annunciator ports	
Surge transient immunity IEC 61000-4-5	±1 kV line-line (DM) and ±2 kV line-earth (CM) on power ports	

Environmental Specifications - Redundant Power Supplies

Attribute	1756-PA75R	1756-PB75R
Conducted RF immunity IEC 61000-4-6	15V rms with 1 kHz sine-wave 80% AM from 150 kHz. . . 80 MHz	
Conducted audio immunity IEC 945	2 W max from rated frequency to the 200th harmonic on AC supply ports	
Voltage variation IEC 61000-4-11	30% dips for 1 period at 0° and 180° on AC supply ports 60% dips for 5 and 50 periods on AC supply ports ±10% fluctuations for 15 min on AC supply ports >95% interruptions for 250 periods on AC supply ports	–
Voltage variation IEC 61000-4-29	–	10 ms interruption on DC supply ports ⁽¹⁾ 60% dips for 100 ms on DC supply ports 100% dips for 50 ms on DC supply ports ±20% fluctuations for 15 min on DC supply ports 5 s interruptions on DC supply ports ⁽²⁾

(1) Short interruption test verifies ride through. The supply remains fully functional under this condition.

(2) Long interruption test verifies that repetitive inrush surge currents do not create any unsafe conditions. The supply fully shuts down and starts up in this test.

Certifications - Redundant Power Supplies

Certification ⁽¹⁾	1756-PA75R	1756-PB75R
c-UL-us	UL Listed Industrial Control Equipment, certified for US and Canada. See UL File E65584. UL Listed for Class I, Division 2 Group A,B,C,D Hazardous Locations, certified for U.S. and Canada. See UL File E194810.	
CSA	CSA Certified Process Control Equipment. See CSA File LR54689C. CSA Certified Process Control Equipment for Class I, Division 2 Group A,B,C,D Hazardous Locations. See CSA File LR69960C.	
FM	FM Approved Equipment for use in Class I Division 2 Group A,B,C,D Hazardous Locations	
CE	European Union 2014/30/EU EMC Directive, compliant with: <ul style="list-style-type: none"> • EN 61326-1; Meas./Control/Lab., Industrial Requirements • EN 61000-6-2; Industrial Immunity • EN 61000-6-4; Industrial Emissions • EN 61131-2; Programmable Controllers (Clause 8, Zone A & B) European Union 2014/35/EU LVD, compliant with: <ul style="list-style-type: none"> • EN 61131-2; Programmable Controllers (Clause 11) 	
RCM	Australian Radiocommunications Act, compliant with: <ul style="list-style-type: none"> • EN 61000-6-4; Industrial Emissions 	
Ex	–	European Union 2014/34/EU ATEX Directive, compliant with: <ul style="list-style-type: none"> • EN 60079-0; General Requirements • EN 60079-15; Potentially Explosive Atmospheres, Protection "n" • II 3 G Ex nA IIC T4 Gc • DEMK013ATEX1325026X
IECEx	–	IECEx System, compliant with: <ul style="list-style-type: none"> • IEC 60079-0; General Requirements • IEC 60079-15; Potentially Explosive Atmospheres, Protection "n" • II 3 G Ex nA IIC T4 Gc • IECEx UL 14.0008X
KC	Korean Registration of Broadcasting and Communications Equipment, compliant with: <ul style="list-style-type: none"> • Article 58-2 of Radio Waves Act, Clause 3 	
EAC	Russian Customs Union TR CU 020/2011 EMC Technical Regulation Russian Customs Union TR CU 004/2011 LV Technical Regulation	

(1) When marked. See the Product Certification link at <http://www.ab.com> for Declarations of Conformity, Certificates, and other certification details.

Technical Specifications - ControlLogix-XT Redundant Power Supplies

Attribute	1756-PAXTR	1756-PBXTR
Input voltage range	85...265V AC ⁽¹⁾	18...32V DC
Input voltage	120V/240V AC	24V DC
Input frequency range	47...63 Hz	–
Input power, max	75VA 65 W	81 W

Technical Specifications - ControlLogix-XT Redundant Power Supplies

Attribute	1756-PAXTR	1756-PBXTR
Output power, max	42 W @ 0...60 °C (32...140 °F)	52 W
Inrush current, max	20 A	30 A
Current capacity @ 1.2V	1.5 A	
Current capacity @ 3.3V	4 A	
Current capacity @ 5.1V	8 A	10 A
Current capacity @ 24V	1.75 A	2.1 A
Annunciator power	240V AC 50/60 Hz, 240V DC, 50 mA, resistive only	240V AC 50/60 Hz, 240V DC, 50 mA, resistive only 90V DC for ATEX/IECEX
Isolation voltage	250V (continuous), Reinforced Insulation Type, Power Input to Backplane, Power Input to Annunciator, Annunciator to Backplane Type tested at 3250V DC for 60 s	
Dimensions (HxWxD), approx	17.5 x 14.5 x 13.7 cm (6.9 x 5.7 x 5.4 in.)	
Weight, approx	1.45 kg (3.2 lb)	
Chassis	1756-A4/B, 1756-A7/B, 1756-A10/B, 1756-A13/B, 1756-A17/B, 1756-A4LXT/B, 1756-A5XT/B, 1756-A7LXT/B, 1756-A7XT/B 1756-A4/C, 1756-A7/C, 1756-A10/C, 1756-A13/C, 1756-A17/C, 1756-A7XT/C	
Wire size	Power: 2.5 mm ² (14 AWG) solid or stranded copper wire rated at 90 °C (194 °F), or greater, 1.2 mm (3/64 in.) insulation max Annunciator: 0.25...2.5 mm ² (22...14 AWG) solid or stranded copper wire rated at 90 °C (194 °F), or greater, 1.2 mm (3/64 in.) insulation max	
Wire category ⁽²⁾	1 - on power ports 3 - on annunciator ports 3 - on 1756-CPR2 connections	
Pilot duty rating	Annunciator - not rated	
Conductor screw torque	0.79 N•m (7 lb-in)	
North American temperature code	T4A	
ATEX temperature code	–	T4
IEC temperature code	–	T4
Enclosure type rating	None (open-style)	

(1) UL certification for 120/240V AC, 50/60 Hz nominal. Rockwell Automation specified 85...265V AC, 47...63 Hz.

(2) Use this conductor category information to plan conductor routing. See Industrial Automation Wiring and Grounding Guidelines, publication [1770-4.1](#).

Environmental Specifications - XT Redundant Power Supplies

Attribute	1756-PAXTR	1756-PBXTR
Temperature, operating IEC 60068-2-1 (Test Ad, Operating Cold), IEC 60068-2-2 (Test Bd, Operating Dry Heat), IEC 60068-2-14 (Test Nb, Operating Thermal Shock)	-25...+70 °C (13...+158 °F)	
Temperature, surrounding air, max	70 °C (158 °F)	
Temperature, nonoperating IEC 60068-2-1 (Test Ab, Unpackaged Nonoperating Cold), IEC 60068-2-2 (Test Bb, Unpackaged Nonoperating Dry Heat), IEC 60068-2-14 (Test Na, Unpackaged Nonoperating Thermal Shock)	-40...+85 °C (-40...+185 °F)	
Relative humidity IEC 60068-2-30 (Test Db, Unpackaged Damp Heat)	5...95% noncondensing	
Vibration IEC 60068-2-6 (Test Fc, Operating)	2 g @ 10...500 Hz	
Shock, operating IEC 60068-2-27 (Test Ea, Unpackaged Shock)	30 g	
Shock, nonoperating IEC 60068-2-27 (Test Ea, Unpackaged Shock)	50 g	