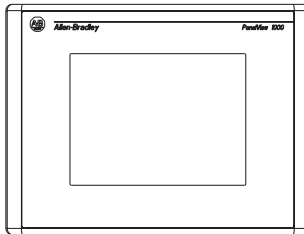
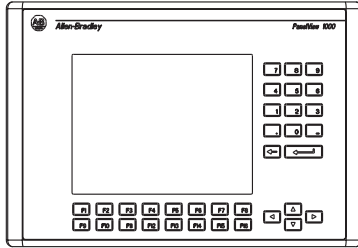


PanelView Standard 1000 Terminals

Table 6 - Technical Specifications - PanelView Standard 1000 Terminals



Attribute	PanelView 1000 Grayscale 2711-K10G, 2711-B10G	PanelView 1000 Color 2711-K10C, 2711-T10C
Operator Input	Keypad or touch screen	Keypad or touch screen
Display type	Black/white monochrome	Color active matrix TFT
Display area (WxH)	211 x 158 mm (8.3 x 6.2 in.)	
Resolution	640 x 480	
Backlight	field replaceable 50,000 hr 1/2 life at 25 °C (77 °F)	
Touch screen	Touch cells: 384 Actuation: 1 million presses	
Keypad description	Stainless-steel domed membrane Keypad, navigation, function keys Actuation: 1 million presses	—
Keypad function keys	16 function keys (F1...F16)	—
Real-time clock	Battery-backed clock timestamps critical data	
Battery	Field replaceable	
Application memory	310 KB application runtime 1008 KB nonvolatile memory (application objects plus text and bitmaps)	
ATA memory card	Supported	
Software	PanelBuilder32 software, runs on a personal computer	
Communication ports	EtherNet/IP, DeviceNet, ControlNet, DH+, Remote I/O, DH-485, RS-232 (DH-485), RS-232 (DF1)	
RS-232 printer port	1200, 2400, 9600, 19,200 Kbps	
Input voltage, DC	18...32V DC (24V DC nom)	
Power consumption, DC	24 W max (1.0 A at 24V DC)	
Input voltage, AC	85...264V AC, 47...63 Hz	
Power consumption, AC	55VA max	
Weight, approx.	Keypad: 3.3 kg (7.2 lb) Touch: 3.2 kg (7.0 lb)	Keypad: 3.7 kg (8.2 lb) Touch: 3.6 kg (7.9 lb)
Dimensions (HxWxD), approx.	Keypad: 282 x 423 x 112 mm 11.11 x 16.64 x 4.40 in. Touch: 282 x 370 x 112 mm 11.11 x 14.58 x 4.40 in.	

Dimension Drawings

Figures 1...5 provide dimension drawings for the PanelView Standard family of terminals.

Figure 1 - Dimensions - PanelView 300 Micro Terminal

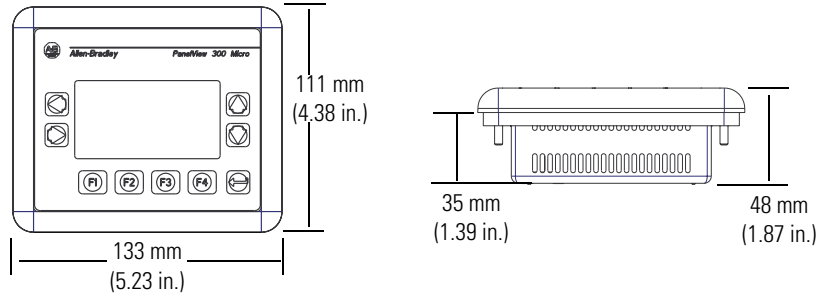


Figure 2 - Dimensions - PanelView 300 Terminal

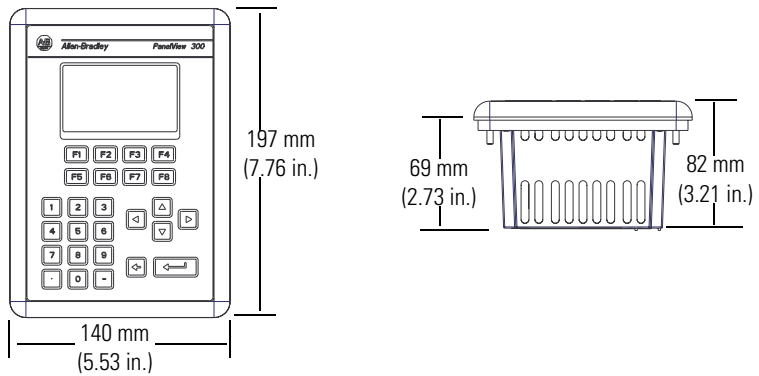


Figure 3 - Dimensions - PanelView 550 Terminals

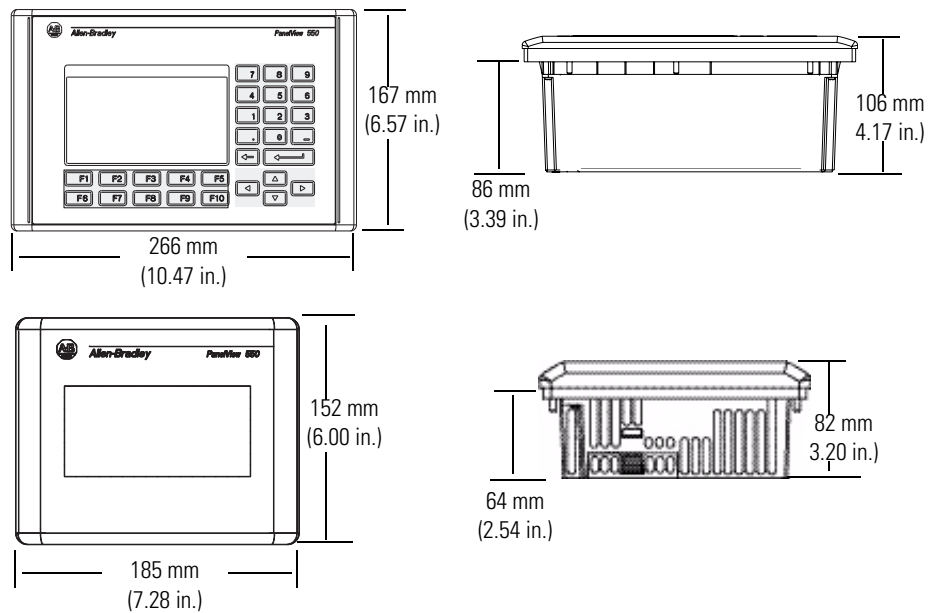


Figure 4 - Dimensions - PanelView 600 Terminals

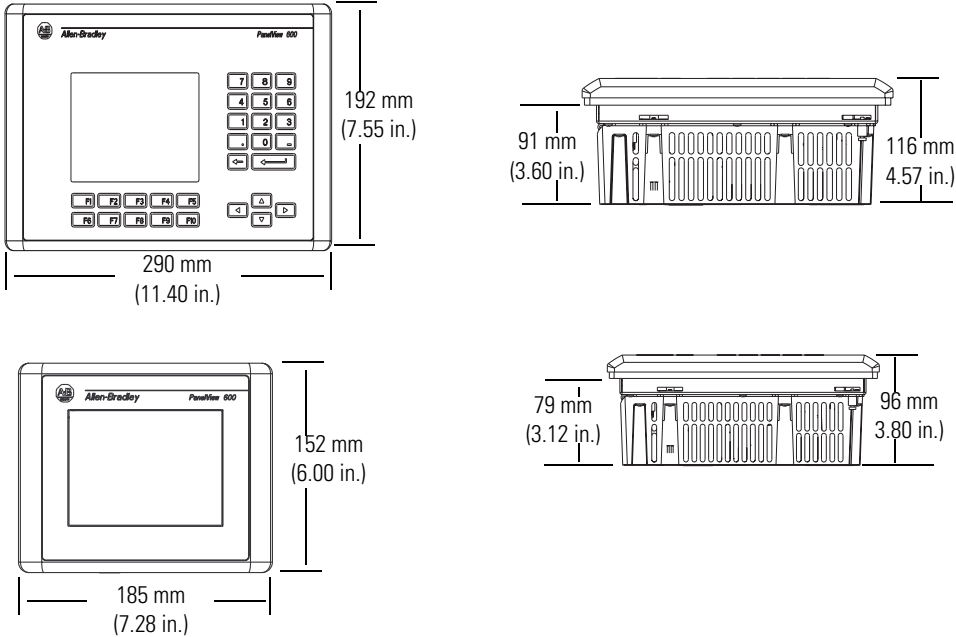
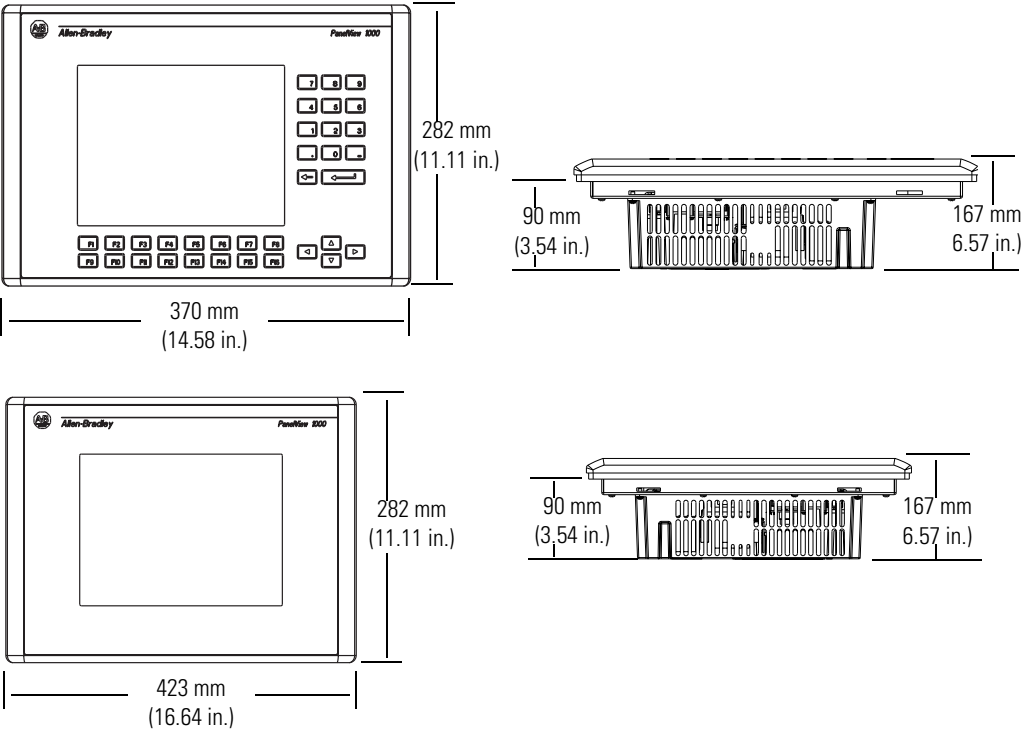


Figure 5 - Dimensions - PanelView 1000 Terminals



Product Selection

Tables 7...11 provide a list of catalog numbers for the PanelView Standard terminals.

Table 7 - PanelView 300 Monochrome Terminals

Cat. No.	Input	Display		Communication	Power	Memory Nonvolatile/RAM
		Size	Type			
2711-K3A2L1 ⁽¹⁾	Keypad	3 in.	Monochrome	DH-485	DC	240 KB/170 KB
2711-K3A5L1 ⁽¹⁾	Keypad			RS-232 (DH-485)	DC	240 KB/170 KB
2711-K3A5L1K ⁽¹⁾⁽²⁾	Keypad			RS-232 (DH-485)	DC	240 KB/170 KB
2711-K3A10L1	Keypad			DeviceNet and RS-232	DC	240 KB/170 KB
2711-K3A17L1 ⁽³⁾	Keypad			RS-232 (DF1)	DC	240 KB/170 KB

(1) Terminals with a DH-485 communication port require application uploads and downloads through the communication port. The RS-232 printer port is only for printing only.

(2) K at the end of a catalog number means the terminal is conformal-coated.

(3) This terminal does not have an RS-232 printer port. Use the communication port to download or upload application files.

Table 8 - PanelView 300 Micro Terminals

Cat. No. ⁽¹⁾	Input	Display		Communication	Power	Nonvolatile Memory
		Size	Type			
2711-M3A18L1	Keypad	3 in.	Monochrome	RS-232 (DF1) 8-pin mini DIN	DC	240 KB
2711-M3A19L1	Keypad			RS-232 (DH-485) 8-pin mini DIN	DC	240 KB

(1) These terminals do not have an RS-232 printer port. Use the communication port to upload and download application files.

Table 9 - PanelView Standard 600 Terminals

Cat. No.			Display		Communication Ports		Memory Nonvolatile/RAM
Keypad ⁽¹⁾	Touch ⁽¹⁾	Keypad/Touch ⁽¹⁾	Size	Type	Comm	RS-232 Print	
2711-K6C2	2711-T6C2L1	2711-B6C2	5 in.	Color	DH-485 ⁽²⁾	No	240 KB/170 KB
2711-K6C3	2711-T6C3L1	2711-B6C3			DH-485 ⁽²⁾	Yes	240 KB/170 KB
2711-K6C5	2711-T6C5L1	2711-B6C5			RS-232 (DH-485) ⁽²⁾	No	240 KB/170 KB
2711-K6C9	2711-T6C9L1	2711-B6C9			RS-232 (DH-485) ⁽²⁾	Yes	240 KB/170 KB
2711-K6C1	2711-T6C1L1	2711-B6C1			Remote I/O	Yes	240 KB/170 KB
2711-K6C8	2711-T6C8L1	2711-B6C8			DH+	Yes	240 KB/170 KB
2711-K6C10	2711-T6C10L1	2711-B6C10			DeviceNet	Yes	240 KB/170 KB
2711-K6C15	2711-T6C15L1	2711-B6C15			ControlNet	Yes	240 KB/170 KB
2711-K6C16	2711-T6C16L1	2711-B6C16			RS-232 (DF1)	Yes (download also)	240 KB/170 KB
2711-K6C20	2711-T6C20L1	2711-B6C20			EtherNet/IP	Yes	240 KB/170 KB

(1) Touch terminals support DC power only as indicated by L1 at the end of the catalog number. To order a keypad or keypad/touch terminal with DC power, add L1 to the cat. no., for example, 2711-K6C3L1.

(2) Terminals with DH-485 communication require that you upload or download applications by using the communication port. The RS-232 port on these terminals is for printing only.

Table 10 - PanelView Standard 550 Terminals

Cat. No.			Display		Communication Ports		Memory Nonvolatile/RAM
Keypad ^{(1) (2) (3)}	Touch ⁽¹⁾	Keypad/Touch ⁽¹⁾⁽²⁾⁽³⁾	Size	Type	Comm	RS-232 Print	
2711-K5A2	2711-T5A2L1	2711-B5A2	5.5 in.	Monochrome	DH-485 ⁽⁴⁾	No	240 KB/170 KB
2711-K5A3	2711-T5A3L1	2711-B5A3			DH-485 ⁽⁴⁾	Yes	240 KB/170 KB
2711-K5A5	2711-T5A5L1	2711-B5A5			RS-232 (DH-485) ⁽⁴⁾	No	240 KB/170 KB
2711-K5A9	2711-T5A9L1	2711-B5A9			RS-232 (DH-485) ⁽⁴⁾	Yes	240 KB/170 KB
2711-K5A1	2711-T5A1L1	2711-B5A1			Remote I/O	Yes	240 KB/170 KB
2711-K5A8	2711-T5A8L1	2711-B5A8			DH+	Yes	240 KB/170 KB
2711-K5A10	2711-T5A10L1	2711-B5A10			DeviceNet	Yes	240 KB/170 KB
2711-K5A15	2711-T5A15L1	2711-B5A15			ControlNet	Yes	240 KB/170 KB
2711-K5A16	2711-T5A16L1	2711-B5A16			RS-232 (DF1)	Yes (download also)	240 KB/170 KB
2711-K5A20	2711-T5A20L1	2711-B5A20			EtherNet/IP	Yes	240 KB/170 KB

(1) Touch terminals support DC power only as indicated by L1 at the end of the catalog number. To order a keypad or keypad/touch terminal with DC power, add L1 to the cat. no., for example, 2711-K5A10L1.

(2) Add L2 to the cat. no. of keypad or keypad/touch terminals to order a stainless steel terminal with AC power, for example, 2711-K5A5L2.

(3) Add L3 to the cat. no. of keypad or keypad/touch terminals to order a stainless steel terminal with DC power, for example, 2711-BFA10L3.

(4) Terminals with DH-485 communication require that you upload or download applications by using the communication port. The RS-232 port on these terminals is for printing only.

Table 11 - PanelView Standard 1000 Terminals

Cat. No.		Display		Communication Ports		Input Power	Memory Nonvolatile/RAM
Keypad ⁽¹⁾	Touch ⁽¹⁾	Size	Type	Comm	RS-232 Print		
2711-K10C3	2711-T10C3	10 in.	Color	DH-485 ⁽²⁾	Yes	AC	1008 KB/310 KB
2711-K10C9	2711-T10C9			RS-232 (DH-485) ⁽²⁾	Yes	AC	1008 KB/310 KB
2711-K10C1	2711-T10C1			Remote I/O	Yes	AC	1008 KB/310 KB
2711-K10C8	2711-T10C8			DH+	Yes	AC	1008 KB/310 KB
2711-K10C10	2711-T10C10			DeviceNet	Yes	AC	1008 KB/310 KB
2711-K10C15	2711-T10C15			ControlNet	Yes	AC	1008 KB/310 KB
2711-K10C16	2711-T10C16			RS-232 (DF1)	Yes (download also)	AC	1008 KB/310 KB
2711-K10C20	2711-T10C20			EtherNet/IP	Yes	AC	1008 KB/310 KB
2711-K10G3	2711-T10G3	10 in.	Grayscale	DH-485 ⁽²⁾	Yes	AC	1008 KB/310 KB
2711-K10G9	2711-T10G9			RS-232 (DH-485) ⁽²⁾	Yes	AC	1008 KB/310 KB
2711-K10G1	2711-T10G1			Remote I/O	Yes	AC	1008 KB/310 KB
2711-K10G8	2711-T10G8			DH+	Yes	AC	1008 KB/310 KB
2711-K10G10	2711-T10G10			DeviceNet	Yes	AC	1008 KB/310 KB
2711-K10G15	2711-T10G15			ControlNet	Yes	AC	1008 KB/310 KB
2711-K10G16	2711-T10G16			RS-232 (DF1)	Yes (download also)	AC	1008 KB/310 KB
2711-K10G20	2711-T10G20			EtherNet/IP	Yes	AC	1008 KB/310 KB

(1) Add L1 to the end of a cat. no. to order a terminal with DC power, for example, 2711-K10C3L1 or 2711-K10G3L1.

(2) Terminals with DH-485 communication require that you upload or download applications by using the communication port. The RS-232 port on these terminals is for printing only.