

Catalogue No: **2094-BC02-M02-S**

KINETIX 6000 SERVO IAM 480V 23A CONV 14.6A INV

Automation Systems > Motion Systems > Servo Drives > Allen-Bradley Kinetix Kinetix 6000 / 6200 / 6500 Servo Drives > Kinetix® 6000 / 6200 / 6500 Drives > Kinetix® 6000 Drives



Module, Integrated, 400/460V, 15KW CONV. 15A INV. , Safe Torque Off



- Integrates seamlessly into the Logix platform for multi-axis integrated motion
- Greater flexibility in your machine design through compact size
- Reduces the total number of connections through simplified wiring and modular design
- Motion control functions are embedded in RSLogix™ 5000 programming and in the Logix controller, reducing the time and money involved in machine building, implementation and maintenance
- Kinetix 6500 servo drives provide Integrated Motion on the EtherNet/IP network by using CIP Motion and CIP Sync technology from ODVA, all built on the Common Industrial Protocol (CIP).
- Kinetix 6200 servo drives provide Integrated Motion capability through the sercos interface and compatibility with Kinetix 6000 drives, letting you migrate to the enhanced features exactly when and where you need them.

Representative Photo Only
(actual product may vary based on configuration selections)

SPECIFICATIONS

Product Series	Kinetix 6000 (Bul. 2094)
Component Type Motion Control	Servo Drive
Safety Performance Level(s) (ISO13849:2006)	ISO 13849:2006 PLe ISO 13849:2006
Safety Performance Level	PLe safety
SIL Rating(s) (IEC/EN 61508)	IEC/EN 61508 SIL3 IEC/EN 61508
SIL Rating	SIL 3
Safety Category(s) (ISO13849:1999 / EN954)	EN 954 / ISO 13849:1999 Category 3 ISO 130849:1999
Safety Category	Cat 3 safety
Integration Type	PLC Integrated
Common AC Bus Capable	No Y / N
Common DC Bus Capable	Yes Y / N
Communications Protocols	Sercos III
Input voltage, 3ph, nom (rms)	360 V AC nom (rms)
Input Voltage, 3ph, min (rms)	324 V AC min (rms)
Input Voltage, 3ph, max (rms)	528 V AC max (rms)
Input Frequency, Nom	50 / 60 Hz
Input Frequency, Min	47 Hz
Input Frequency, Max	63 Hz
Input Current, Three Phase, Nominal	24 A
Input Current, Three Phase, Max (0 - pk)	22 A
Bus Voltage, Nominal	650 V DC
Line Loss Ride Through Time	20 ms
Internal Shunt Power, Continuous	50 W

Catalogue No: **2094-BC02-M02-S**

KINETIX 6000 SERVO IAM 480V 23A CONV 14.6A INV

Automation Systems > Motion Systems > Servo Drives > Allen-Bradley Kinetix Kinetix 6000 / 6200 / 6500 Servo Drives > Kinetix® 6000 / 6200 / 6500 Drives > Kinetix® 6000 Drives



Internal Shunt Power, Peak	5600 W
Internal Shunt Resistance	115 Ohms
Bus Power, Continuous	15 kW
Bus Power, Peak	37.5 kW
Output Current, Continuous (rms)	22.6 A, rms, continuous
Output Current, Peak (rms)	56.4 A, rms, peak
Efficiency, Electrical, Peak	97 >=%
Altitude, Operating (No Derating)	1000 m
Altitude, Operating (Derating)	3000 m
Compatible Motor Series'	MPL Low Inertia compatible MPM Medium Inertia MPS Stainless Steel TLY-Series LDAT Integrated Linear Thruster MPAI Heavy Duty Electric Cylinder MPAR Electric Cylinder MPMA Integrated Linear Stage
Operating Temperature, Max	50 °C max
Operating Temperature, Min	0 °C min
Storage Temperature, Max	70 °C max
Storage Temperature, Min	-50 °C min
Relative Humidity, Min	5 %RH
Relative Humidity, Max	95 %RH
Height	287 mm
Width	125 mm
Depth	272 mm
Weight	5.08 kg
Shock Acceleration (Max.)	15 g
Shock Duration (Max.)	11 ms
Vibration Acceleration (Max.)	2 m/s ²
Vibration Displacement (Peak to Peak Max.)	0.35 mm
Vibration Frequency, Operational (Max.)	500 Hz
Standards Compliance	AS/NZS CISPR 11-Group2-ClassA EN 50178 EN 61800-3 EN 61800-5-1 EN 61800-5-2 UL / UR (Underwriters Laboratories USA) EN 954 / ISO 13849:1999 Category 3 ISO 13849:2006 PLe IEC/EN 61508 SIL3
Certifications	CE C-Tick C-UL KC (KCC) UL TUV Category 3 TUV PLe TUV SIL3

Catalogue No: 2094-BC02-M02-S

KINETIX 6000 SERVO IAM 480V 23A CONV 14.6A INV

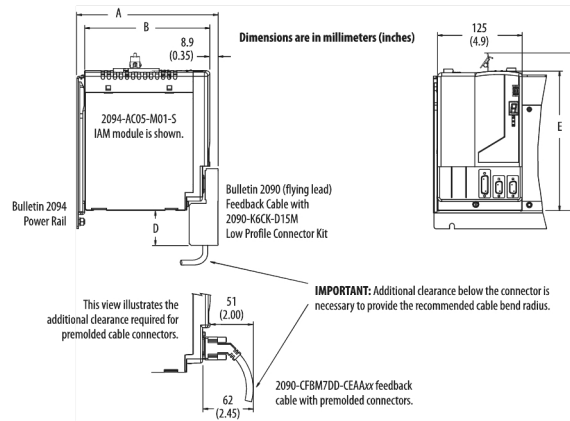
Automation Systems > Motion Systems > Servo Drives > Allen-Bradley Kinetix Kinetix 6000 / 6200 / 6500 Servo Drives > Kinetix® 6000 / 6200 / 6500 Drives > Kinetix® 6000 Drives



REFERENCES	
IECEX Certificate	-
Supplier Declaration of Conformity:	-
Installation Guide:	-
User Manual:	-
Manufacturer Datasheet:	2094BC02M02S_ManufacturerDatasheet
Manufacturer Catalogue & Product Selection:	-

Dimensions - Kinetix 6000 Multi-axis Servo Drives

2094-AC05-MP5-S, 2094-AC05-M01-S, and 2094-AC09-M02-S Dimensions (200V-class)
 2094-BC01-MP5-S, 2094-BC01-M01-S, and 2094-BC02-M02-S Dimensions (400V-class)



Modules are shown mounted to the power rail and the dimensions reflect that in the depth of the module.

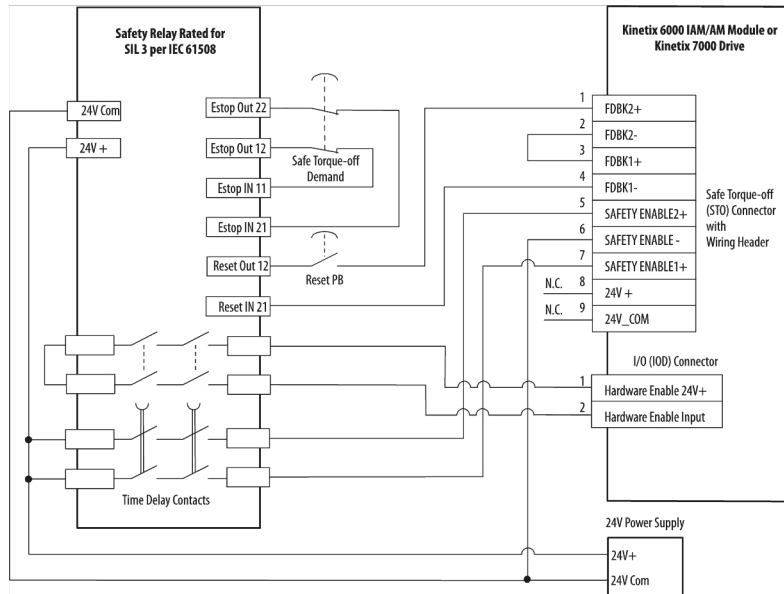
IAM Module Dimensions

IAM Module Cat. No.	Series	A mm (in.)	B mm (in.)	D mm (in.)	E mm (in.)	F mm (in.)
2094-AC05-MP5-S	A and C	198 (7.8)	176 (7.0)	51 (2.0)	206 (8.2)	237 (9.3)
2094-AC05-M01-S						
2094-AC09-M02-S						
2094-BC01-MP5-S	A, B, and C	272 (10.7)	249 (9.8)	0 (0)	256 (10.1)	287 (11.3)
2094-BC01-M01-S						
2094-BC02-M02-S						

Dimension Diagram



Figure 17 - Single Drive (Stop Category 1) with Safety Relay Configuration



IMPORTANT Pins STO-8 (internal 24V+ supply) and STO-9 (24V_COM) are used only by the motion-allowed jumper to defeat the safe torque-off function. When the safe torque-off function is in operation, the 24V supply must come from an external source.

Connection / Wiring Diagram