

SLC 500 Digital I/O Modules

Input Catalog Numbers 1746-IA4, 1746-IA8, 1746-IA16, 1746-IB8, 1746-IB16, 1746-IC16, 1746-IG16, 1746-IH16, 1746-IM4, 1746-IM8, 1746-IM16, 1746-IN16, 1746-ITB16, 1746-ITV16, 1746-IV8, 1746-IV16

Output Catalog Numbers 1746-OA8, 1746-OA16, 1746-OAP12, 1746-OB8, 1746-OB6EI, 1746-OB16, 1746-OB16E, 1746-OBP8, 1746-OBP16, 1746-OG16, 1746-OV8, 1746-OV16, 1746-OVP16, 1746-OW4, 1746-OW8, 1746-OW16, 1746-OX8



Combination Input/Output Catalog Numbers 1746-IO4, 1746-IO8, 1746-IO12, 1746-IO12DC

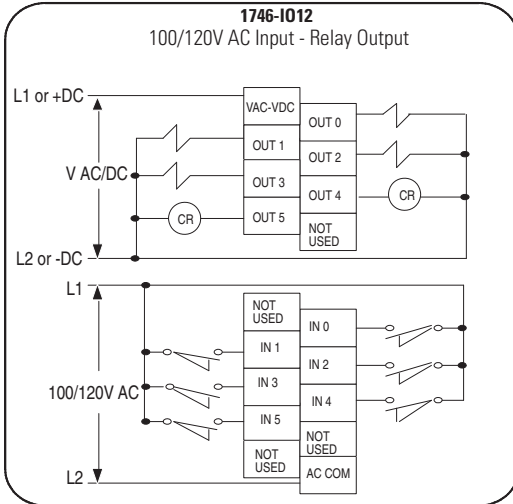
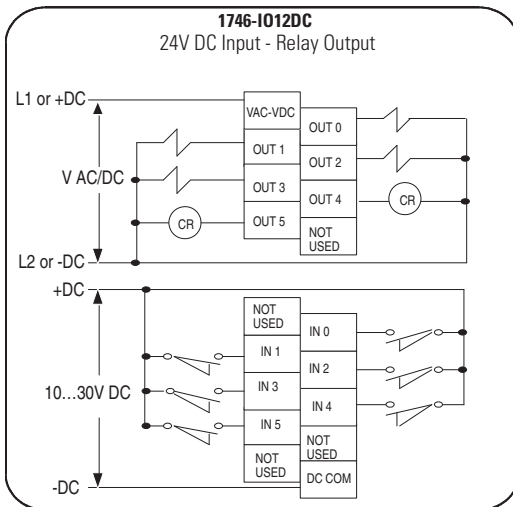
Table of Contents

Topic	Page
Important User Information	2
North American Hazardous Location Approval	3
Environment and Enclosure	4
Prevent Electrostatic Discharge	4
Install and Remove the Module	5
Octal Label Kit Installation (for PLC processors only)	6
Wiring Diagrams	17
Apply the Octal Filter Label	6
Apply the Octal Door Label	6
Removable Terminal Blocks	6
Recovery From Blown Fuse/Processor Fault/Processor Shutdown	13
Replacement Fuse Recommendations	13
Replace Fuses	14
Electronically Protected Modules (1746-OB6EI and 1746-OB16E)	14
Specifications	29

North American Hazardous Location Approval

The following modules are North American Hazardous Location approved: 1746-IA4, 1746-IA8, 1746-IA16, 1746-IB8, 1746-IB16, 1746-IC16, 1746-IG16, 1746-IH16, 1746-IM4, 1746-IM8, 1746-IM16, 1746-IN16, 1746-ITB16, 1746-ITV16, 1746-IV8, 1746-IV16, 1746-OA8, 1746-OA16, 1746-OAP12, 1746-OB8, 1746-OB6EI, 1746-OB16, 1746-OB16E, 1746-OBP8, 1746-OBP16, 1746-OG16, 1746-OV8, 1746-OV16, 1746-OVP16, 1746-OW4, 1746-OW8, 1746-OW16, 1746-OX8, 1746-IO4, 1746-IO8, 1746-IO12, 1746-IO12DC.

The following information applies when operating this equipment in hazardous locations:	Informations sur l'utilisation de cet équipement en environnements dangereux:
<p>Products marked "CL I, DIV 2, GP A, B, C, D" are suitable for use in Class I Division 2 Groups A, B, C, D, Hazardous Locations and nonhazardous locations only. Each product is supplied with markings on the rating nameplate indicating the hazardous location temperature code. When combining products within a system, the most adverse temperature code (lowest "T" number) may be used to help determine the overall temperature code of the system. Combinations of equipment in your system are subject to investigation by the local Authority Having Jurisdiction at the time of installation.</p>	<p>Les produits marqués "CL I, DIV 2, GP A, B, C, D" ne conviennent qu'à une utilisation en environnements de Classe I Division 2 Groupes A, B, C, D dangereux et non dangereux. Chaque produit est livré avec des marquages sur sa plaque d'identification qui indiquent le code de température pour les environnements dangereux. Lorsque plusieurs produits sont combinés dans un système, le code de température le plus défavorable (code de température le plus faible) peut être utilisé pour déterminer le code de température global du système. Les combinaisons d'équipements dans le système sont sujettes à inspection par les autorités locales qualifiées au moment de l'installation.</p>
<div style="display: flex; align-items: center;">  <div> <p>EXPLOSION HAZARD</p> <ul style="list-style-type: none"> • Do not disconnect equipment unless power has been removed or the area is known to be nonhazardous. • Do not disconnect connections to this equipment unless power has been removed or the area is known to be nonhazardous. Secure any external connections that mate to this equipment by using screws, sliding latches, threaded connectors, or other means provided with this product. • Substitution of any component may impair suitability for Class I, Division 2. • If this product contains batteries, they must only be changed in an area known to be nonhazardous. </div> </div>	<div style="display: flex; align-items: center;">  <div> <p>RISQUE D'EXPLOSION</p> <ul style="list-style-type: none"> • Couper le courant ou s'assurer que l'environnement est classé non dangereux avant de débrancher l'équipement. • Couper le courant ou s'assurer que l'environnement est classé non dangereux avant de débrancher les connecteurs. Fixer tous les connecteurs externes reliés à cet équipement à l'aide de vis, loquets coulissants, connecteurs filetés ou autres moyens fournis avec ce produit. • La substitution de tout composant peut rendre cet équipement inadapté à une utilisation en environnement de Classe I, Division 2. • S'assurer que l'environnement est classé non dangereux avant de changer les piles. </div> </div>

1746-IO12**1746-IO12DC**

Output Modules Heat Dissipation

Catalog Numbers	Watts per Point	Minimum Watts	Total Watts
1746-OV8	0.775	0.675	6.90
1746-OV16	0.388	1.400	7.60
1746-OVP16	0.310	1.250	6.26
1746-OW4	0.133	1.310	1.90
1746-OW8	0.138	2.590	3.70
1746-OW16	0.033	5.170	5.70
1746-0X8	0.825	2.590	8.60

Combination Input/Output Modules Heat Dissipation

Catalog Numbers	Watts per Point	Minimum Watts	Total Watts
1746-IO4	0.27 per input point 0.133 per output point	0.75	1.60
1746-IO8	0.27 per input point 0.133 per output point	1.38	3.00
1746-IO12	0.27 per input point 0.133 per output point	2.13	4.60
1746-IO12DC	0.20 per input point 0.133 per output point	1.84	3.90



ATTENTION: To avoid potential damage to TTL modules, handle them by the ends of the module, not metallic surfaces. Electrostatic discharges can damage the module. Take care to prevent exposure of terminals or components to electrostatic charges.

Careful wire routing within the enclosure helps cut down electrical noise between I/O lines. Refer to the SLC 500 Modular Hardware Style User Manual, publication [1747-UM011](#), for recommended wiring procedures for TTL modules.

Limit cable length to 3 m (10 ft) per point for outputs in standard environments.

Refer to Allen-Bradley Programmable Controller Wiring and Grounding Guidelines, publication [1770-IN041](#), for complete information.

Relay Contact Modules



WARNING: Exposure to some chemicals may degrade the sealing properties of materials used in the following devices: Relay Epoxy.

Catalog	Relay
1746-OX8	K1...K8
1746-I04	K1 and K2
1746-I08	K1...K4
1746-I012	K1...K6
1746-I012DC	K1...K6
1746-OW4	K1...K4
1746-OW8	K1...K8
1746-OW16	K1...K16

It is recommended that the user periodically inspect these devices for any degradation of properties and replace the module if degradation is found.

Specifications – 1746-OW4, 1746-OW8, 1746-OW16, and 1746-OX8

Attribute	Value			
	1746-OW4 ⁽²⁾	1746-OW8 ⁽²⁾	1746-OW16 ⁽²⁾⁽³⁾	1746-OX8 ⁽²⁾⁽³⁾
Voltage category	AC/DC Relay			
Number of outputs	4	8	16	8
Points per common	4	4	8	Individually isolated

Specifications – 1746-OW4, 1746-OW8, 1746-OW16, and 1746-OW8

Attribute		Value			
		1746-OW4 ⁽²⁾	1746-OW8 ⁽²⁾	1746-OW16 ⁽²⁾⁽³⁾	1746-OW8 ⁽²⁾⁽³⁾
Voltage, operating	5V DC	5...125			
	24V DC	5...265			
Signal delay, max resistive load		On = 10.0 ms Off = 10.0 ms			
Backplane current consumption	5V DC	0.045 A	0.085 A	0.170 A	0.085 A
	24V DC	0.045 A	0.090 A	0.180 A	0.090 A
Off-state leakage, max		0 mA			
Load current, min		10 mA @ 5V DC			
Continuous current per point ⁽¹⁾		See Relay Contact Ratings on page 43 .			
Continuous current per module		8.0 A AC 8.0 A /Common	16.0 A AC 8.0 A /Common	16.0 A AC 8.0 A /Common	⁽⁴⁾

⁽¹⁾ Recommended surge suppression: For relay contact outputs, refer to the SLC 500 Modular Hardware User Manual, publication [1747-UM011](#). Connecting surge suppressors across your external inductive load will extend the life of SLC 500 relay contacts.

⁽²⁾ Certified for Class 1, Division 2 hazardous location by CSA.

⁽³⁾ Removable terminal block.

⁽⁴⁾ The continuous current per module must be limited so the module power does not exceed 1440V A.

Relay Contact Ratings

Relay Contact Ratings – 1746-IO4, 1746-IO8, 1746-IO12, and 1746-IO12DC

Voltages		Amperes ⁽¹⁾		Amperes ⁽¹⁾ Continuous	Volt-Amperes	
		Make	Break		Make	Break
Volts (AC), max	120	15	1.5	2.5	1800	180
	240	7.5	0.75			
Volts (DC), max	125	0.22 ⁽²⁾		1.0	28	
	24	1.2 ⁽²⁾		2.0	28	

⁽¹⁾ The continuous current per module must be limited so the module power does not exceed 1440V A.

⁽²⁾ For DC voltage applications, the make/break ampere rating for relay contacts can be determined by dividing 28VA by the applied DC voltage. For example, 28V A/48V DC = 0.58 A. For DC voltage applications less than 14V, the make/break ratings for relay contacts cannot exceed 2 A.

Relay Contact Ratings – 1746-OX8

Voltages		Amperes ⁽¹⁾		Amperes Continuous ⁽³⁾	Volt-Amperes	
		Make	Break		Make	Break
Volts (AC), max	120	30	3.0	5.0	3600	360
	240	15	1.5			
Volts (DC), max	125	0.22 ⁽²⁾		1.0	28	
	24	1.2 ⁽²⁾		2.0	28	

⁽¹⁾ Recommended surge suppression: For relay contact outputs, refer to the SLC 500 Modular Hardware User Manual, publication [1747-UM011](#). Connecting surge suppressors across your external inductive load will extend the life of SLC 500 relay contacts.

⁽²⁾ For DC voltage applications, the make/break ampere rating for relay contacts can be determined by dividing 28V A by the applied DC voltage. For example, 28V A/48V DC = 0.58 A. For DC voltage applications less than 14V, the make/break ratings for relay contacts cannot exceed 2 A.

⁽³⁾ The continuous current per module must be limited so the module power does not exceed 1440V A.

Combination Input/Output Modules

Specifications – 1746-IO4, 1746-IO8, 1746-IO12, and 1746-IO12DC

Attribute	Value				
	1746-IO4 ⁽¹⁾⁽²⁾	1746-IO8 ⁽¹⁾⁽²⁾	1746-IO12 ⁽¹⁾⁽³⁾⁽⁴⁾	1746-IO12DC ⁽³⁾⁽⁵⁾⁽⁶⁾⁽⁷⁾	
Points per module	2 inputs 2 outputs	4 inputs 4 outputs	6 inputs 6 outputs	6 inputs 6 outputs	
Points per common	2	4	6	6	
Voltage category	120V AC			24V DC	
Voltage, operating (inputs)	85...132V AC			10...30V DC	
Voltage category (outputs)	100/120V AC Relay contact output				
Voltage, operating (outputs)	5...265V AC 5...125V DC				
Backplane current consumption	5V DC	0.030 A	0.060 A	0.090 A	0.080 A
	24V DC	0.025 A	0.045 A	0.070 A	0.060 A

⁽¹⁾ Certified for Class 1, Division 2 hazardous location by CSA.

⁽²⁾ See specifications for catalog numbers 1746-IA4 and 1746-OW4. Continuous Current per 1746-IO4 Module is 4.0 A. Continuous Current per 1746-IO8 Module is 8.0 A.

⁽³⁾ Removable terminal block.

⁽⁴⁾ See specifications for catalog numbers 1746-IA16 and 1746-OW16. Continuous Current per 1746-IO12 Module is 8.0 A.

⁽⁵⁾ See specification for catalog numbers 1746-IB16 and 1746-OW16. Continuous Current per 1746-IO12DC Module is 8.0 A.

⁽⁶⁾ Certified for Class 1, Division 2 hazardous location by C-UL.

⁽⁷⁾ Use the following ID Code when configuring your system with programming software or the HHT: 1746-IO12DC = 1512.

TIP For combination I/O modules 1746-IO4, 1746-IO8, 1746-IO12 and 1746-IO12DC):

The first several seconds of any powerup or when power is applied to a rack that is not under processor control, the output LED indicators of the combination input and output modules in the rack will be illuminated.

Racks are not under processor control if one of the following conditions exist:

- Modular Hardware Style (only): Processor is absent from the rack or the rack interconnect cable is not properly connected.
- Modular Hardware Style and Fixed Hardware Style: The processor does not have the firmware PROM installed or the processor is not functioning properly.