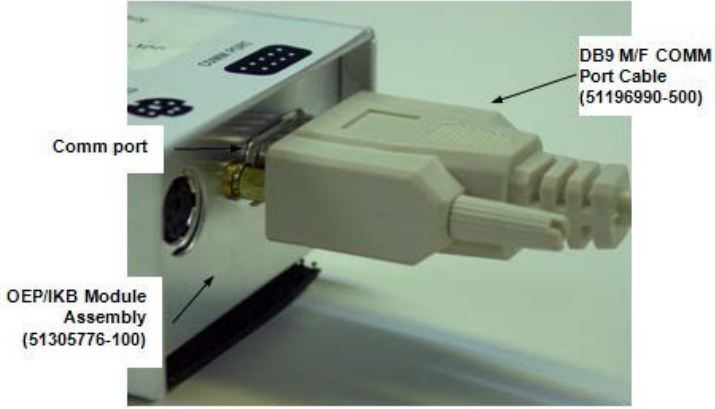
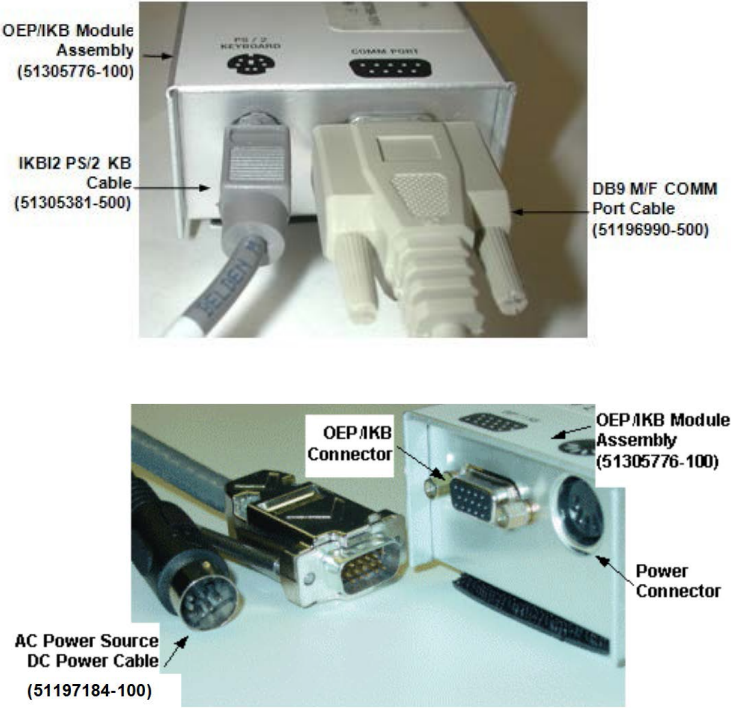


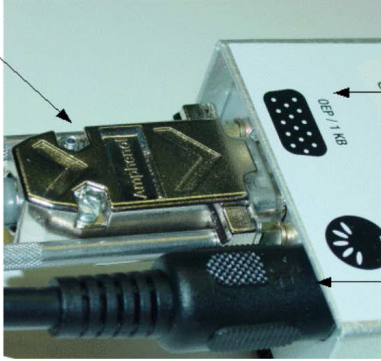
Figure 2-10 OEP/IKB Adapter Connected to IKB and Annunciator.

### 3.4.3 Connect the OEP/IKB adapter module to the keyboard

Use the following procedure to connect an OEP or IKB to the OEP/IKB adapter. Refer to [Figure 2-8](#), [Figure 2-9](#), and [Figure 2-10](#).

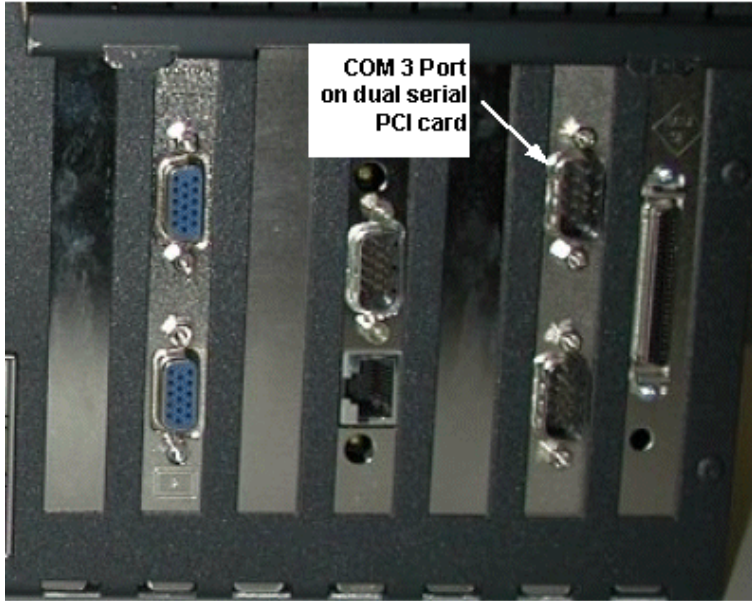

Step	Action
1	<p>Power down the computer and other peripheral devices and disconnect the power cable from the PC.</p> <p>DO NOT connect power to the OEP/IKB Module Assembly until told to do so.</p>
2	<p>Connect the male end of the DB9 M/F Comm Port cable (51196990-500) to the COMM PORT on the OEP/IKB Module Assembly (51305776-100) and tighten the thumbscrews.</p>

Step	Action
	 <p>DB9 M/F COMM Port Cable (51196990-500)</p> <p>Comm port</p> <p>OEP/IKB Module Assembly (51305776-100)</p>
3	<p>If you are connecting an IKB, insert the round DIN plug of the IKB12 PS/2 cable (51305381-500) into the PS/2 Connector on the OEP/IKB Module Assembly (51305776-100).</p>  <p>OEP/IKB Module Assembly (51305776-100)</p> <p>IKB12 PS/2 KB Cable (51305381-500)</p> <p>DB9 M/F COMM Port Cable (51196990-500)</p> <p>OEP/IKB Connector</p> <p>OEP/IKB Module Assembly (51305776-100)</p> <p>Power Connector</p> <p>AC Power Source DC Power Cable (51197184-100)</p>

Step	Action
	
4	Insert the round DIN plug from the AC Power Source DC Power cable (51197184) into the Power Connector on the OEP/IKB Module Assembly (51305776-100).
5	If you have an annunciator, connect the cable from the OEP/IKB Keyboard to the annunciator Y cable,
6	Connect OEP/IKB keyboard cable or the annunciator Y cable to the connector on the OEP/IKB Module Assembly (51305776-100) and tighten the thumbscrews to secure the cable to the module assembly.

### 3.4.4 Connect the OEP/IKB adapter module to the computer

Step	Action
1	<p>Connect and secure the female end of the DB9 Comm Port cable to one of the following serial ports.</p> <ul style="list-style-type: none"> <li>■ COM1 if you do not have the dual serial PCI card</li> <li>■ COM3 on the dual serial PCI card</li> </ul>

Step	Action
	
	<p><b>ATTENTION</b></p> <p>If you are using the dual serial PCI card, the OEP/IKB adapter <b>MUST</b> be plugged into the COM 3 Port on the dual serial PCI card as shown in the previous picture.</p>
2	<p>If you are connecting an IKB, connect the other end of the IKB12 PS/2 cable (51305381-500) to the Keyboard PS/2 Port on the computer.</p>
3	<p>Connect the AC power cord (51305567) to the AC power source (51197184-100).</p>
4	<p>Plug the AC power cord in.</p>
5	<p>Connect the PC power cord in and power up the system.</p>
6	<p>Perform the following <a href="#">“Configure the COM1 Port as COM3”</a> procedure if:</p> <ul style="list-style-type: none"> <li>■ Your computer does not have a dual serial PCI card, or</li> <li>■ You upgraded the computer with the dual serial PCI card</li> </ul>

### 3.4.5 Configure the COM1 Port as COM3

Use this procedure to configure COM1 as COM3. This procedure is necessary if your computer does not have a dual serial PCI card, or you do not have the IKB Services Software installed. See [Section 2.3, “Before you Begin”](#).

Step	Action