

**TERMINATION ASSEMBLIES AND CABLES**

Field input signals connect to the FBM subsystem via DIN rail mounted Termination Assemblies, which are electrically passive (see Figure 1). TAs for the FBM201/b/c/d modules are available in the following forms:

- ▶ Compression screw type using Polyamide (PA) material
- ▶ Compression screw type using Polyvinyl Chloride (PVC) material
- ▶ Ring lug type using Polyamide (PA) material
- ▶ Ring lug type using Polyvinyl Chloride (PVC) material

See “FUNCTIONAL SPECIFICATIONS – TERMINATION ASSEMBLIES” on page 8 for a list of TAs used with the FBM201/b/c/d modules.

A removable termination cable connects the DIN rail mounted TA to the FBM via a field connector on the baseplate in which the FBM is installed. Termination cables are available in the following materials:

- ▶ Polyurethane
- ▶ Hypalon XLP.

Termination cables are available in a variety of lengths, up to 30 meters (98 feet), allowing the Termination Assembly to be mounted in either the enclosure or in an adjacent enclosure. See Table 2 for a list of termination cables used with the TAs for the FBM201/b/c/d modules.

**FUNCTIONAL SPECIFICATIONS – TERMINATION ASSEMBLIES**

FBM Type	Input Signal	TA Part Number <sup>(a)</sup>		Termination Type <sup>(b)</sup>	TA Cable Type <sup>(c)</sup>	TA Certification Type <sup>(d)</sup>
		PVC	PA			
FBM201	8 channels, 0 to 20 mA dc, passive feedthrough with FBM201 channel isolation	P0916AA P0916AB	P0916XG P0917JK	C RL	1	1, 2
FBM201b	8 channels, 0 to 100 mV dc, passive feedthrough with FBM201b channel isolation		P0922ZM	C	1	1, 2
FBM201c	8 channels, 0 to 5 V dc, passive feedthrough with FBM201c channel isolation		P0922ZN	C	1	1, 2
FBM201d	8 channels, 0 to 10 V dc, passive feedthrough with FBM201d channel isolation		P0922ZP P0926SQ	C RL	1	1, 2

(a) PVC is polyvinyl chloride rated from -20 to +50°C (-4 to +122°F); PA is polyamide rated from -20 to +70°C (-4 to +158°F).

(b) C = TA with compression terminals; RL = TA with ring lug terminals.

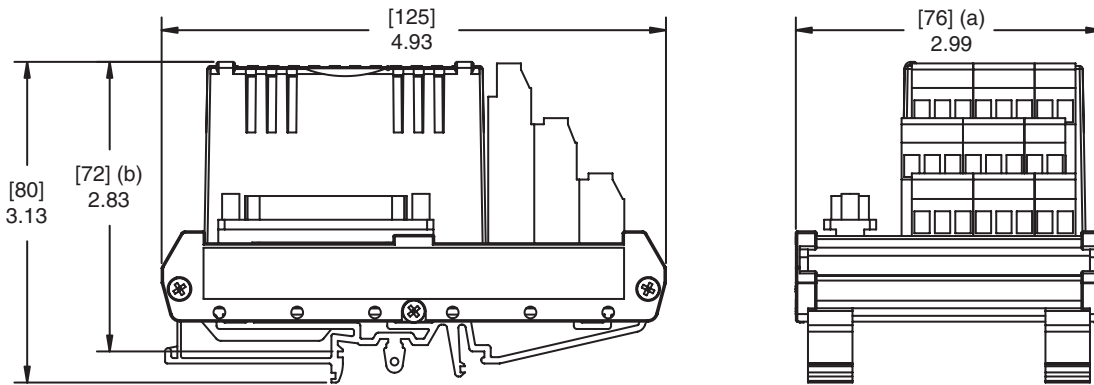
(c) See Table 2 for cable part numbers and specifications.

(d) See Table 1 for Termination Assembly certification definitions.

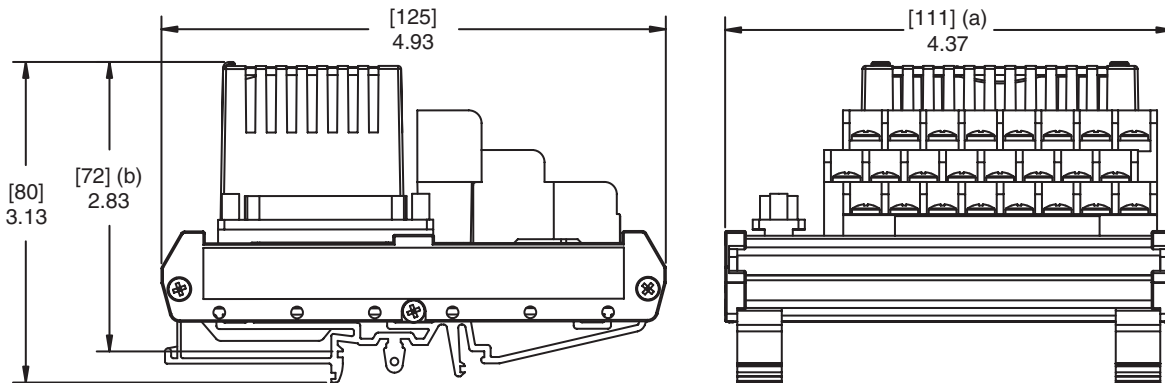
**DIMENSIONS – NOMINAL**

[mm]  
in

Compression TA: P0916AA, P0916XG, PO922ZM, P0922ZN, P0922ZP



Ring Lug TA: P0916AB, P0917JK, P0926SQ



- (a) Overall width – for determining DIN rail loading.
- (b) Height above DIN rail (add to DIN rail height for total).